



# 水泵机组零部件图册

PART CATALOGUE

**LC25ZB21-1.2Q**

**LC40ZB21-1.2Q**

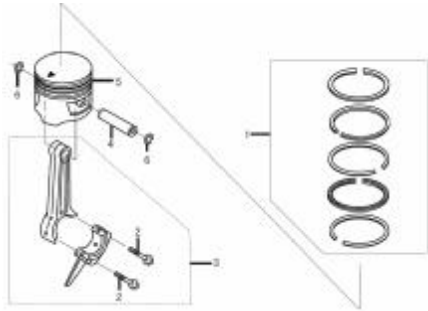


版本号 **VERSION No.:** 2011-01

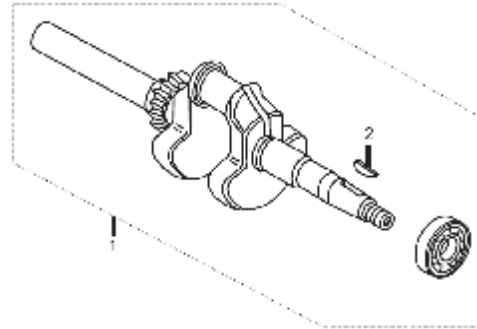
隆鑫通用动力股份有限公司

LONCIN MOTOR CO.,LTD.

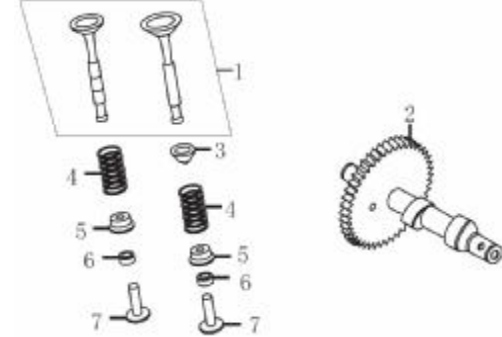
活塞连杆 (PISTON/CONNECTOR ROD)



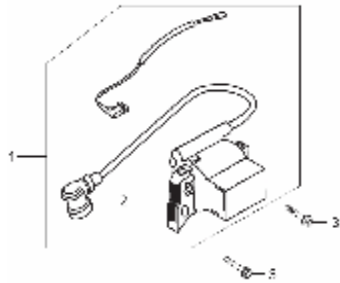
曲轴 (CRANKSHAFT)



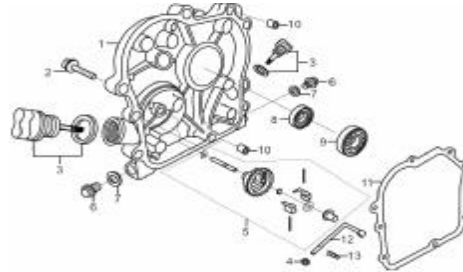
配气系统 (GAS DISTRIBUTION ADJUSTMENT)



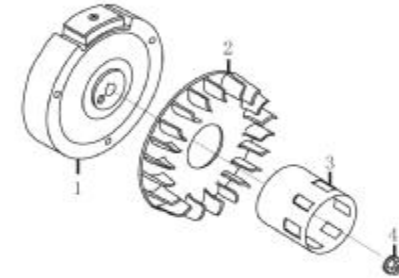
点火线圈 (IGNITORASSY)



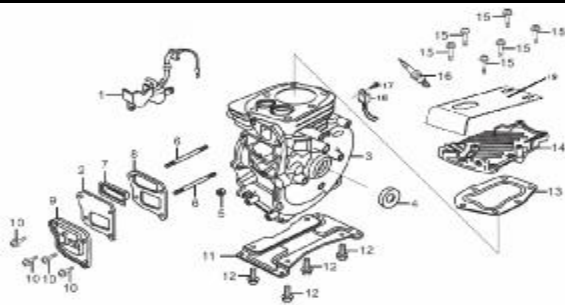
曲轴箱盖 (COVER)



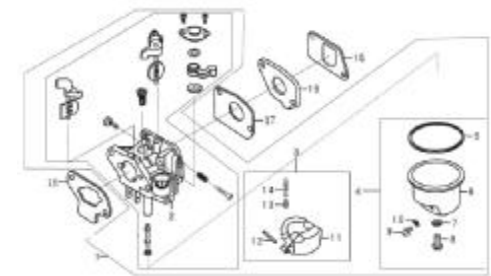
飞轮 (FLY WHEEL COMP)



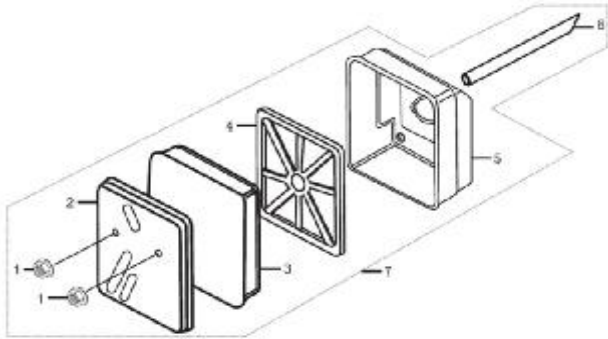
曲轴箱体 (CRANKCASE)



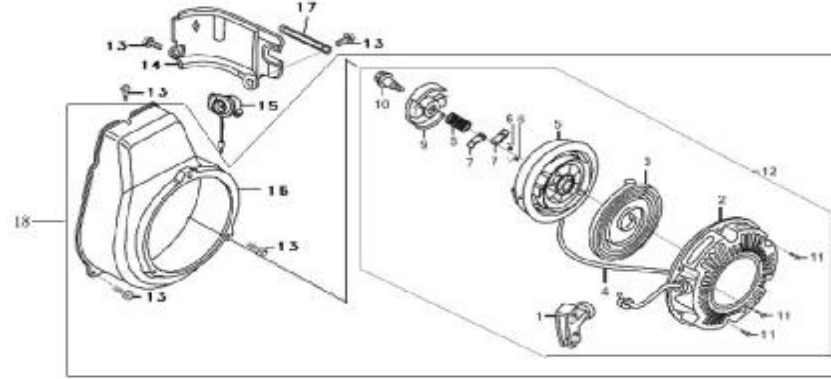
化油器 (CARBURETOR)



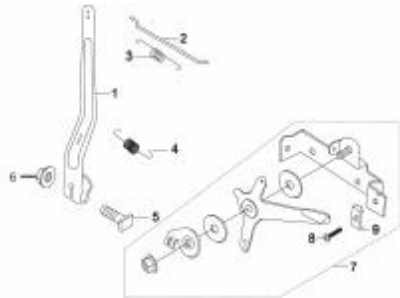
空滤器 (AIR CLEANER ASSY)



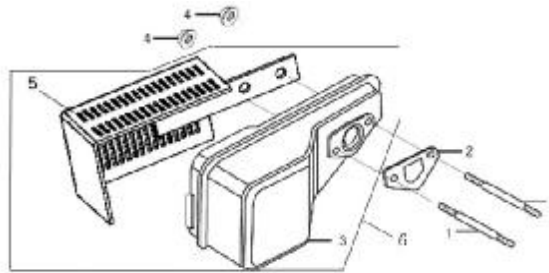
手启动机构部件 (STARTER SUBASSEMBLY)



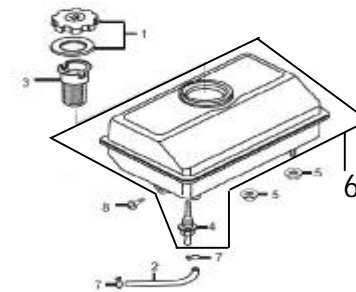
调速控制系统 (CONTROL)



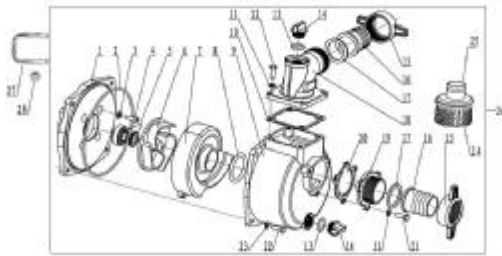
消声器 (MUFFLER)



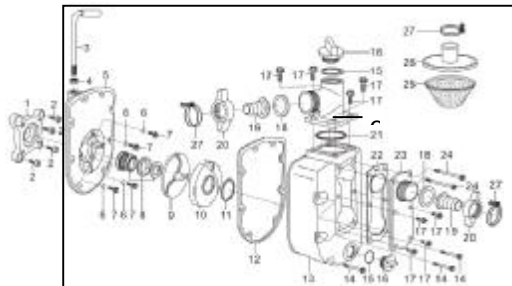
油箱 (FUEL TANK)



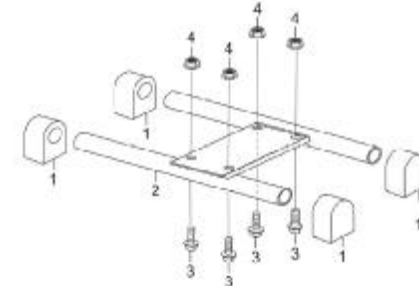
水泵部件



水泵部件



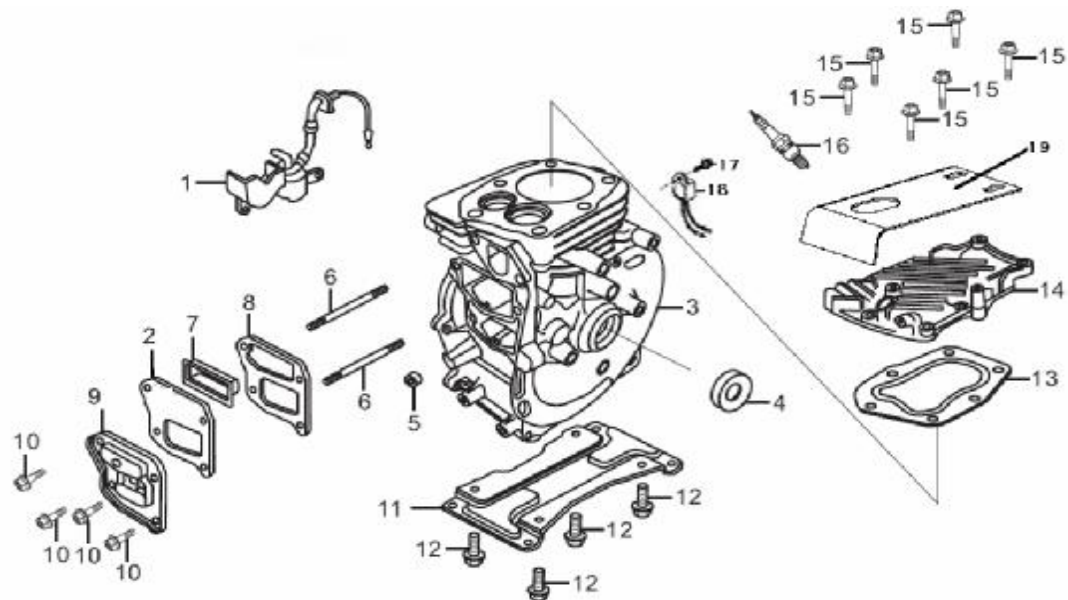
机架





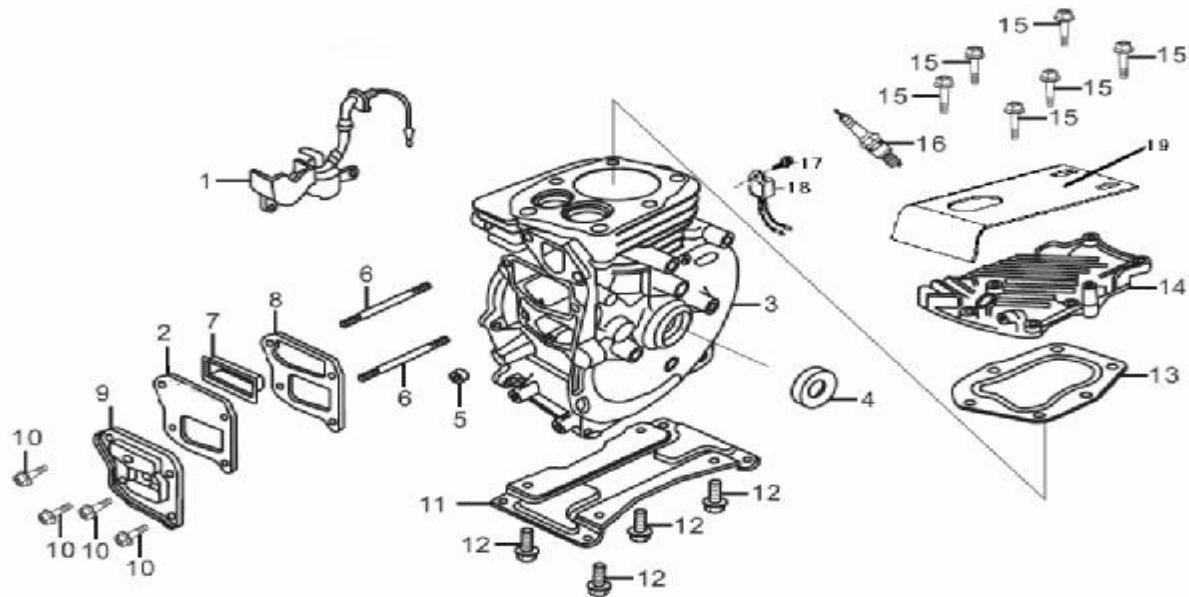






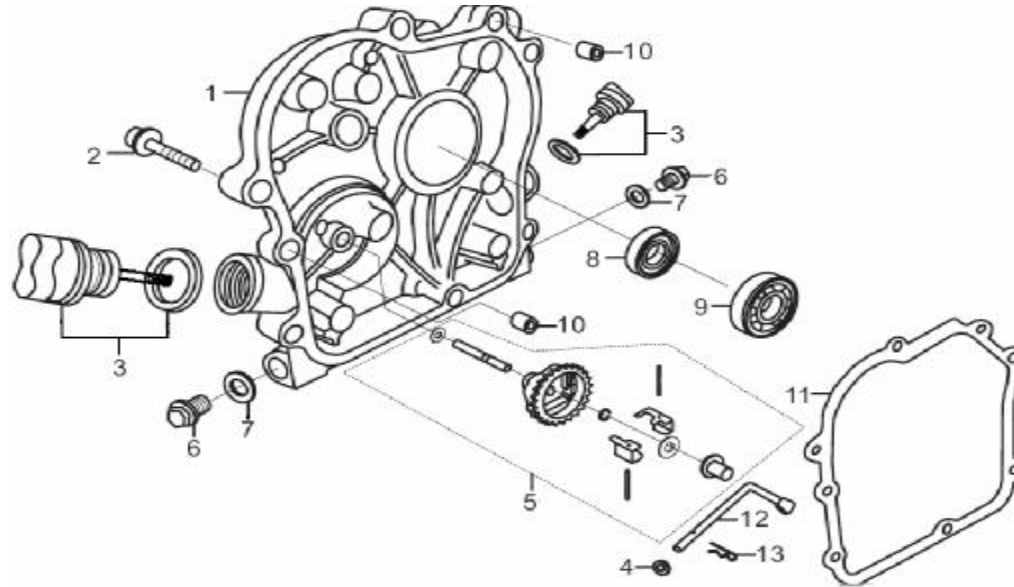
曲轴箱体 CRANKCASE

| 序号<br>No. | 零部件图号<br>Part No. | 零部件名称         | Description     | 数量 (Reqd. No.) |
|-----------|-------------------|---------------|-----------------|----------------|
| 1         | 281850155-T010    | 机油传感器         | OIL SENOR       | 1              |
| 2         | 110850013-T010    | 呼吸槽密封垫        | WASHER          | 1              |
| 3         | 110810020-T010    | 曲轴箱体(有孔)      | CRANKCASE       | 1              |
| 4         | 380650333-T010    | 油封17×30×6     | OIL SEAL17×30×6 | 1              |
| 5         | 380650340-T010    | 油封5×10×4      | OIL SEAL5×10×4  | 1              |
| 6         | 380180100-0001    | 气缸头双头螺栓M5×117 | BOLT, STUD, 1IN | 2              |
| 7         | 110930001-T010    | 呼吸槽盖板主体       | COVER           | 2              |
| 8         | 110850008-T010    | 呼吸槽密封垫        | WASHER          | 1              |
| 9         | 110840004-T010    | 呼吸槽盖板         | COVER           | 1              |
| 10        | 380140332-0001    | 六角法兰面螺栓M5×10  | BOLT M5×10      | 4              |
|           |                   |               |                 |                |
|           |                   |               |                 |                |
|           |                   |               |                 |                |



曲轴箱体 CRANKCASE

| 序号<br>No. | 零部件图号<br>Part No. | 零部件名称        | Description       | 数量 (Reqd. No.) |
|-----------|-------------------|--------------|-------------------|----------------|
| 11        | 110800001-T010    | 发动机底座        | ENGINEBASE        | 1              |
| 12        | 380140040-0005    | 六角法兰面螺栓M8×16 | BOLT M8×16        | 4              |
| 13        | 120150154-T010    | 气缸头密封垫       | GASKET, CYLINDER  | 1              |
| 14        | 120220010-T010    | 气缸头盖组合       | CYLINDERCOVER     | 1              |
| 15        | 380140100-0003    | 连接螺栓 M6×35   | BOLT M6×35        | 6              |
| 16        | 270960027-T010    | 火花塞          | SPARKPLUG         | 1              |
| 17        | 380140089-0003    | 螺栓 M6×8      | BOLT, FLANGE, 6×8 | 1              |
| 18        | 281890001-T040    | 机油保护器        | ALART UNIT ,OIL   | 1              |
| 19        | 106190038-T010    | 汽缸头盖导风罩      | SHROUD COMP       | 1              |
|           |                   |              |                   |                |
|           |                   |              |                   |                |
|           |                   |              |                   |                |



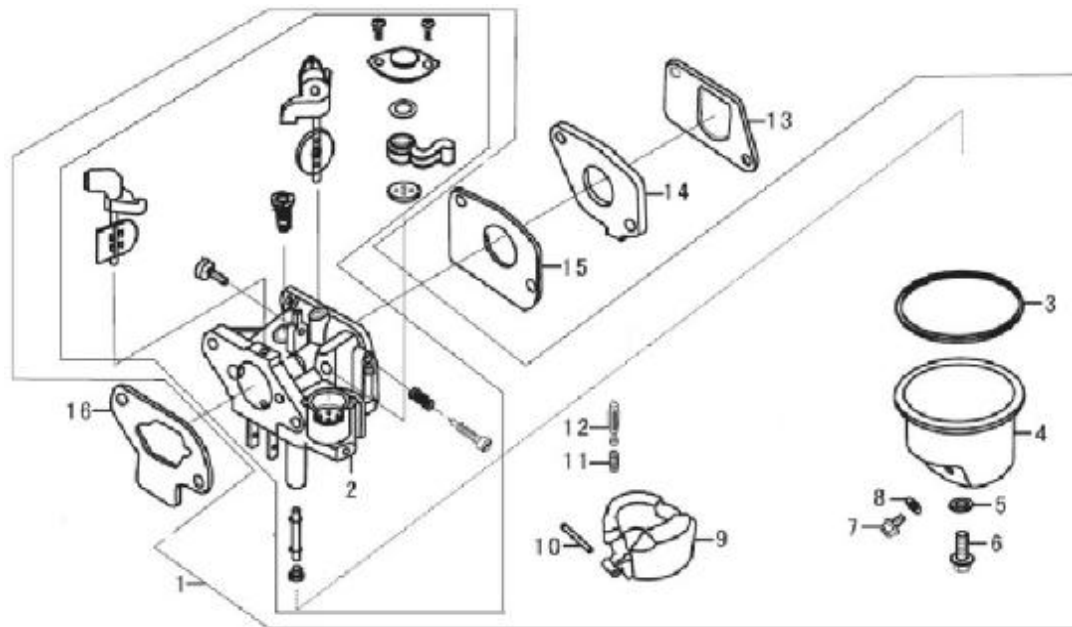
曲轴箱盖 COVER

| 序号<br>No. | 零部件图号<br>Part No. | 零部件名称        | Description         | 数量 (Reqd. No.) |
|-----------|-------------------|--------------|---------------------|----------------|
| 1         | 110820011-T010    | 曲轴箱盖         | COVER               | 1              |
| 2         | 380140024-0006    | 六角法兰面螺栓M6×28 | BOLT M6×28          | 6              |
| 3         | 110690035-T150    | 机油尺部件        | OIL CAP             | 2              |
| 4         | 380450519-0001    | 调速垫片         | WASHER, FLAT        | 1              |
| 5         | 171750007-T010    | 调速齿轮部件       | GOVERNORGEARASSY    | 1              |
| 6         | 110260025-T040    | 放油螺栓         | OILTRAINBOLT M10X15 | 2              |
| 7         | 380450514-0001    | 放油螺栓垫片       | WASHER              | 2              |
| 8         | 380650333-T010    | 油封17×30×6    | OILSEAL17×30×6      | 1              |
| 9         | 380630002-0001    | 深沟球轴承6203    | BEARING6203         | 1              |
|           |                   |              |                     |                |
|           |                   |              |                     |                |
|           |                   |              |                     |                |
|           |                   |              |                     |                |







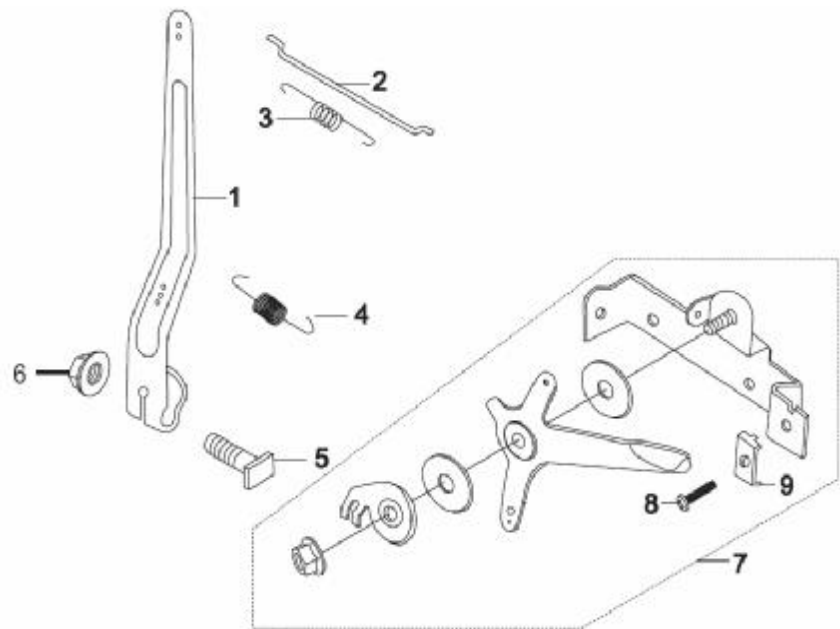


化油器 CARBURETOR

| 序号<br>No. | 零部件图号<br>Part No. | 零部件名称  | Description           | 数量 (Reqd. No.) |
|-----------|-------------------|--------|-----------------------|----------------|
| 1         | 170020422-0001    | 化油器    | CARBURETOR            | 1              |
| 2         | 170160034-T010    | 化油器主体  | CARBURETOR'S NOUMENON | 1              |
| 3         | 380840463-T010    | 油杯密封圈  | GASKET , OIL CUP      | 1              |
| 4         | 170250025-T010    | 浮子室    | OIL CUP               | 1              |
| 5         | 380450547-T010    | 油杯螺栓垫片 | GASKET , OIL CUP BOLT | 1              |
| 6         | 380140355-T010    | 浮子室螺栓  | BOLT , OIL CUP        | 1              |
| 7         | 172930001-T040    | 密封螺塞   | DRAIN BOLT            | 1              |
| 8         | 380450577-T040    | 平垫圈    | GASKET , DRAIN BOLT   | 1              |
| 9         | 170280021-T010    | 浮子     | FLOAT                 | 1              |
| 10        | 170290018-T010    | 浮子销    | PIN , FLOAT           | 1              |
| 11        | 381150347-T010    | 浮子阀弹簧  | SPRING , VALVE SET    | 1              |
| 12        | 170180052-T010    | 针阀     | VALVE , FLOAT         | 1              |
| 13        | 170430001-T010    | 进气管密封垫 | PACKING, INSULATOR    | 1              |



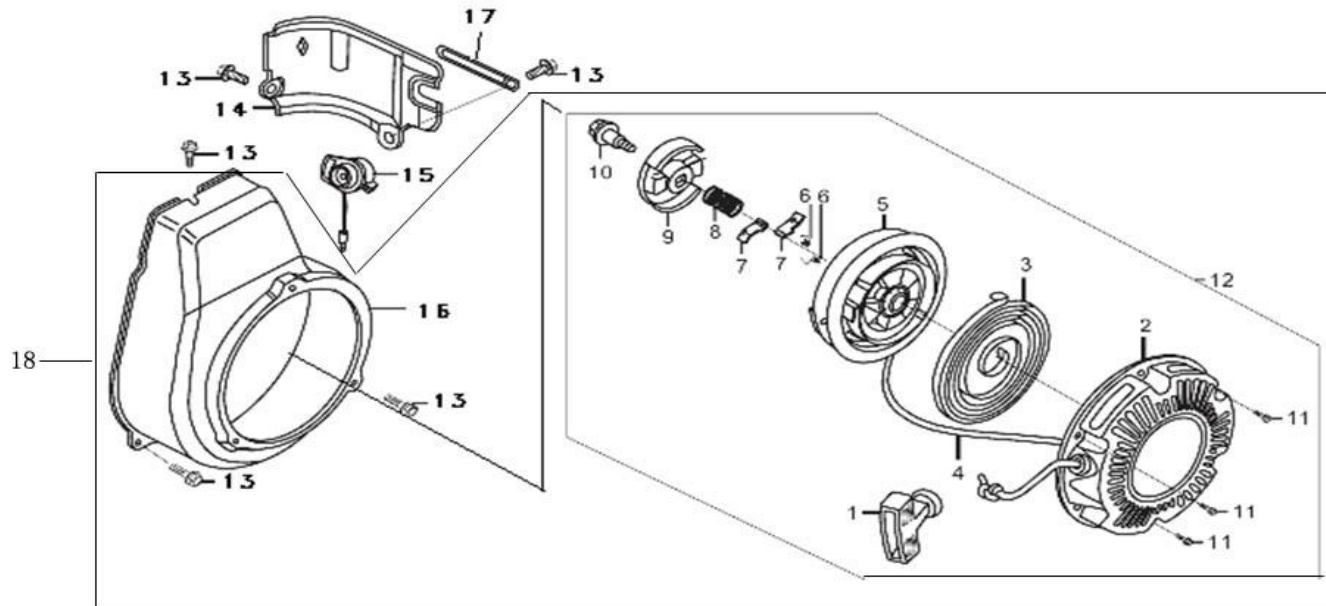




油门操纵组合 CONTORL ASSY

| 序号<br>No. | 零部件图号<br>Part No. | 零部件名称         | Description             | 数量 (Reqd. No.) |
|-----------|-------------------|---------------|-------------------------|----------------|
| 1         | 171620007-T010    | 调速支架          | SHAFT, GOVERNOR ARM     | 1              |
| 2         | 171590008-T010    | 油门拉杆          | ROD, GOVERNOR           | 1              |
| 3         | 171610007-T010    | 节气门复位弹簧(拉簧B)  | SPRING, THROTTLE RETURN | 1              |
| 4         | 171600009-T010    | 调速弹簧(拉簧A)     | SPRING, GOVERNOR        | 1              |
| 5         | 380250002-0001    | 方头平端紧固螺钉      | BOLT, QUADRATE HEAD     | 1              |
| 6         | 380370048-0001    | 螺母 M6         | NUT M6                  | 1              |
| 7         | 171680017-T010    | 油门操纵组合        | CONTORL ASSY            | 1              |
| 8         | 380200035-T010    | 十字槽盘头螺钉 M5×16 | BOLT, STUD M5×16        | 1              |
| 9         | 171710003-T010    | 拉索压板          | BACK PLATE, DRAGLINE    | 1              |
|           |                   |               |                         |                |
|           |                   |               |                         |                |
|           |                   |               |                         |                |

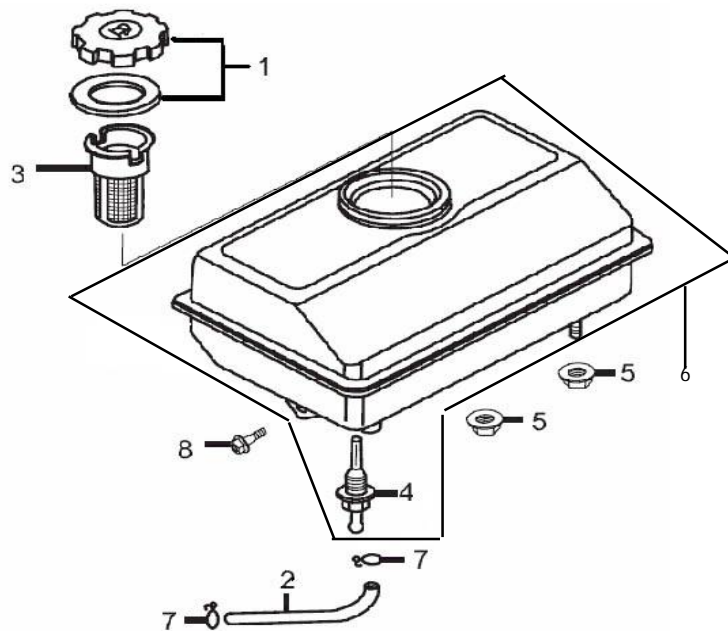




手启动机构部件 STARTER SUBASSEMBLY

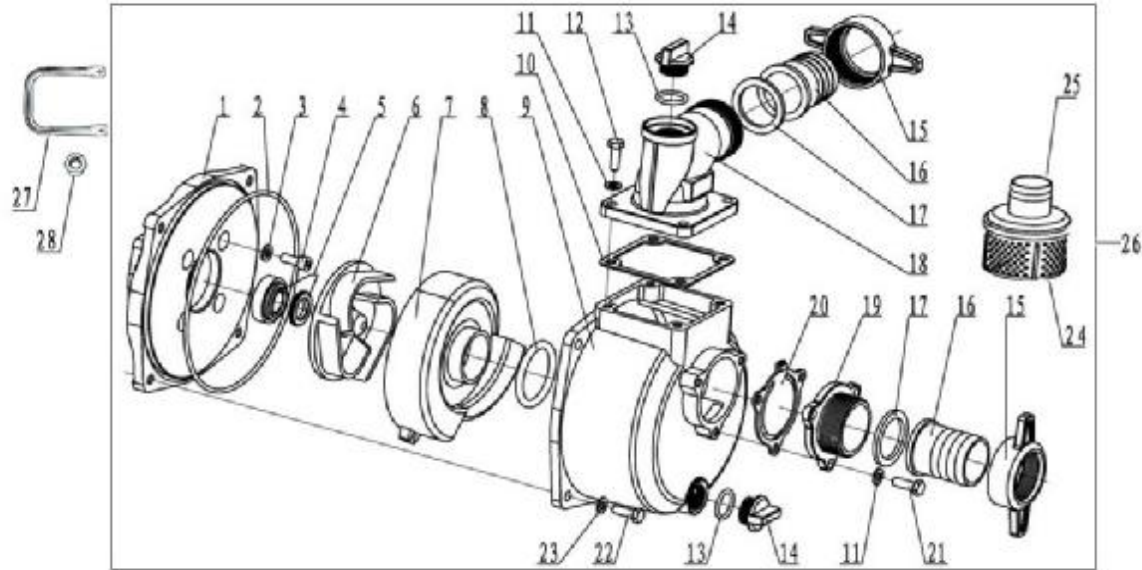
| 序号<br>No. | 零部件图号<br>Part No. | 零部件名称        | Description            | 数量 (Reqd. No.) |
|-----------|-------------------|--------------|------------------------|----------------|
| 1         | 193560015-T010    | 拉绳手柄         | KNOB , RECOIL STARTER  | 1              |
| 2         | 193640001-T010    | 拉绳盘罩         | COVER, REEL, STARTER   | 1              |
| 3         | 193340022-T010    | 起动复位簧        | SPRING, RECOIL STARTER | 1              |
| 4         | 193530007-T010    | 拉绳           | ROPE                   | 1              |
| 5         | 193520007-T010    | 拉绳盘          | REEL, RECOIL STARTER   | 1              |
| 6         | 381160092-T010    | 驱动凸轮扭簧       | SPRING, RETURN         | 2              |
| 7         | 193540006-T010    | 驱动凸轮(棘爪)     | RATCHER, STARTER       | 2              |
| 8         | 381150345-T010    | 分离弹簧         | SPRING, FRICTION       | 1              |
| 9         | 193550007-T010    | 驱动导向板        | GUIDE, RATCHET         | 1              |
| 10        | 380020066-T010    | 导向板紧固螺钉      | SCREW, SETTING         | 1              |
| 11        | 380140089-0003    | 六角法兰面螺栓M6×8  | BOLT M6×8              | 3              |
| 12        | 193500006-T010    | 手启动部件        | STARTER ASSY           | 1              |
| 13        | 380140001-0006    | 六角法兰面螺栓M6×12 | BOLT M6×12             | 5              |





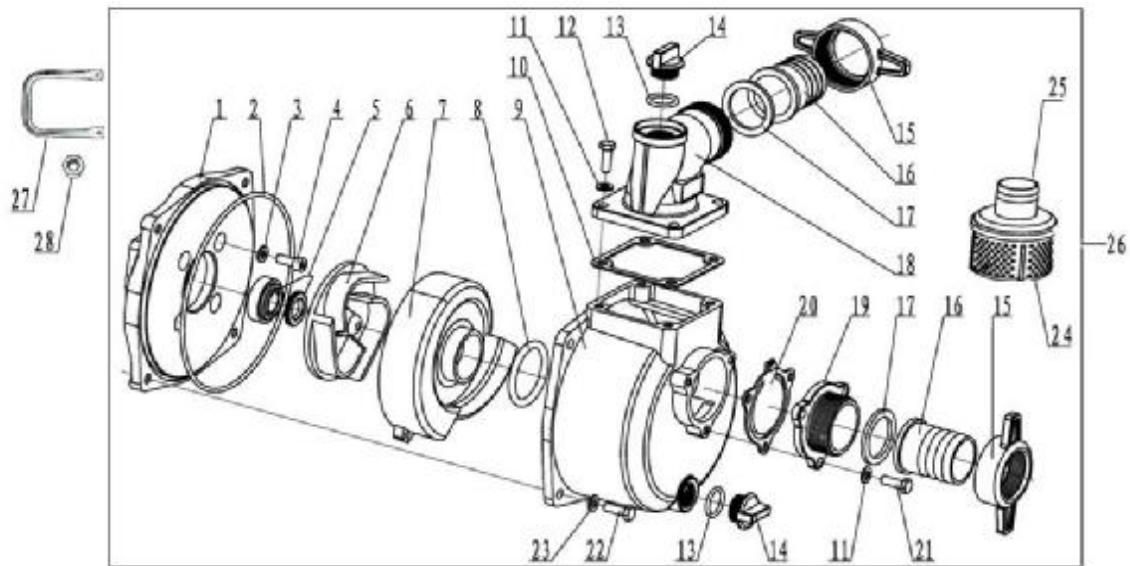
油箱 TANK COMP. , FUEL

| 序号<br>No. | 零部件图号<br>Part No. | 零部件名称       | Description             | 数量 (Reqd. No.) |
|-----------|-------------------|-------------|-------------------------|----------------|
| 1         | 170870039-T040    | 油箱盖         | CAP COMP. , FUEL FILLER | 1              |
| 2         | 380750279-0001    | 油管4×8×56    | TUBE, FUEL4×8×56        | 1              |
| 3         | 170720001-T040    | 燃油滤网        | FILTER, FUEL            | 1              |
| 4         | 170660077-T040    | 出油嘴         | JOINT ASSY. , FUEL TANK | 1              |
| 5         | 380370048-0001    | 六角法兰面螺母M6   | NUT, FLANGE M6          | 2              |
| 6         | 170490122-T010    | 油箱部件        | TANK COMP. , FUEL       | 1              |
| 7         | 380950188-T040    | 油管卡圈        | CLIP, TUBE              | 2              |
| 8         | 380140089-0003    | 六角法兰面螺栓M6×8 | BOLT, STUD M6×8         | 1              |
|           |                   |             |                         |                |
|           |                   |             |                         |                |
|           |                   |             |                         |                |
|           |                   |             |                         |                |



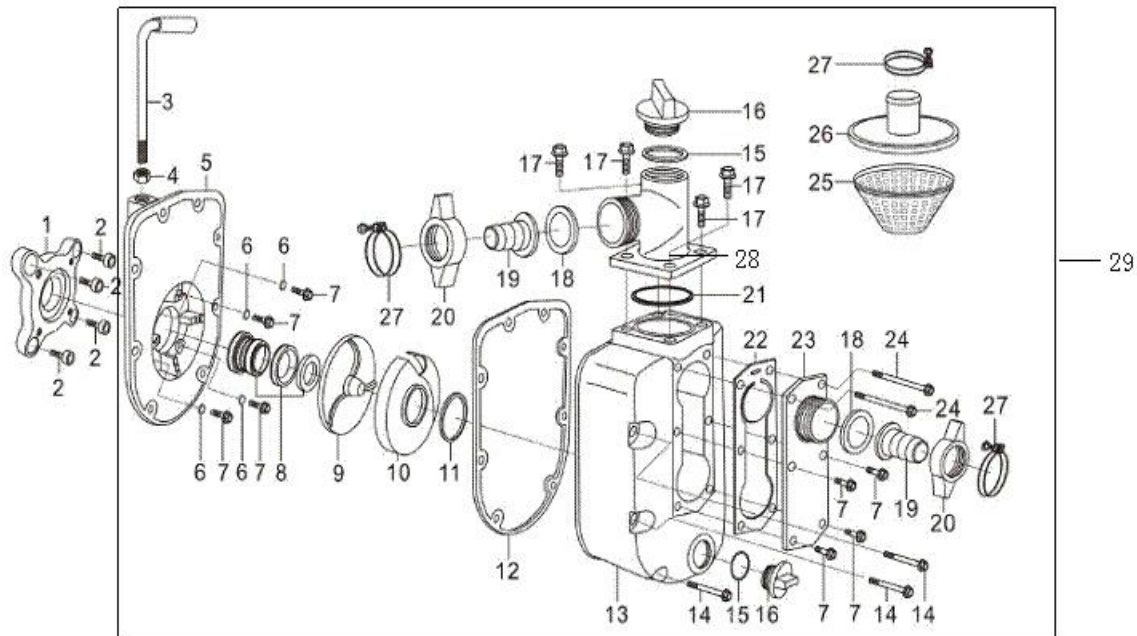
水泵部件 PUMP

| 序号<br>No. | 零部件图号<br>Part No. | 零部件名称    | Description           | 数量 (Reqd. No.) |
|-----------|-------------------|----------|-----------------------|----------------|
| 1         | 660190008-T850    | 支座       | PUMP COVER            | 1              |
| 2         | 380840620-T850    | 密封圈      | O-RING 160×4          | 1              |
| 3         | 660830004-T850    | 支座螺栓密封垫圈 | WASHER, SEALING       | 4              |
| 4         | 380190135-T850    | 内六角螺钉    | SOCKET HEAD CAP SCREW | 4              |
| 5         | 660350009-T850    | 机械密封部件   | MACHINERY SEAL        | 1              |
| 6         | 660200010-T850    | 水泵叶轮     | WATER PUMP IMPELLER   | 1              |
| 7         | 660210008-T850    | 涡壳       | VOLUTE CASING         | 1              |
| 8         | 380840497-T850    | O型密封圈    | O-RING                | 1              |
| 9         | 660220008-T850    | 泵体       | HOUSING OF PUMP       | 1              |
| 10        | 660260008-T850    | 输出法兰垫    | FLANGE, OUTPUT        | 1              |
| 11        | 380450004-T850    | 平垫圈      | WASHER 6X13X1.2       | 7              |
| 12        | 380070034-0003    | 六角头螺栓    | BOLT M6X18            | 4              |
| 13        | 380840671-T850    | 密封圈      | O-RING                | 2              |



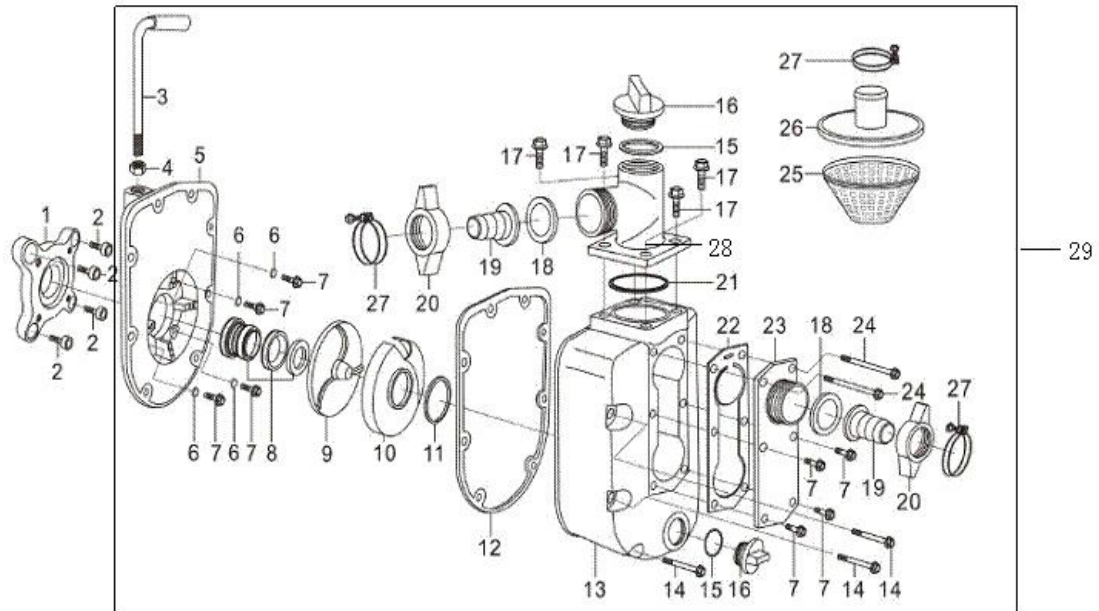
水泵部件 PUMP

| 序号<br>No. | 零部件图号<br>Part No. | 零部件名称   | Description          | 数量 (Reqd. No.) |
|-----------|-------------------|---------|----------------------|----------------|
| 14        | 660240006-T850    | 螺塞      | PLUG                 | 2              |
| 15        | 660270009-T850    | 吸水管接头   | LINKERM, TUBE        | 2              |
| 16        | 660280007-T850    | 软管接口    | TIE-IN, TUBE         | 2              |
| 17        | 380840496-T850    | 软管接头密封圈 | GASKET, TUBE LINKER  | 2              |
| 18        | 660250007-T850    | 输出法兰    | FLANGE, OUTPUT       | 1              |
| 19        | 660230007-T850    | 负压法兰    | FLANGE, ENDURE PRESS | 1              |
| 20        | 660320008-T850    | 吸入阀     | CHECK VALVE          | 1              |
| 21        | 380070034-0003    | 六角头螺栓   | ENGINE M6X18         | 3              |
| 22        | 380070018-0004    | 六角头螺栓   | ENGINE M8X20         | 4              |
| 23        | 380450003-0006    | 平垫圈     | FLAT WASHER          | 4              |
| 24        | 660300007-T850    | 进水口滤网   | FILTER               | 1              |
| 25        | 660290007-T850    | 进水口滤网盖  | COVER, FILTER        | 1              |
| 26        | 660180028-T850    | 水泵部件    | PUMP COMP            | 1              |
| 27        | 660790002-T850    | 水泵提手    | HANDLE COMP., PUMP   | 1              |
| 28        | 380340005-0005    | 六角螺母    | NUT, M8              | 2              |



水泵部件 PUMP

| 序号<br>No. | 零部件图号<br>Part No. | 零部件名称        | Description         | 数量 (Reqd. No.) |
|-----------|-------------------|--------------|---------------------|----------------|
| 1         | 660330001-T800    | 水泵连接盘        | FLANGE, PUMP        | 1              |
| 2         | 380190051-T800    | 内六角螺钉M8×16   | BOLT , 8×16         | 4              |
| 3         | 660790001-T800    | 水泵提手         | HANDLE COMP. ,PUMP  | 1              |
| 4         | 380340012-T800    | 1型六角螺母M12    | NUT, 12             | 1              |
| 5         | 660190007-T800    | 支座           | PUMP COVER          | 1              |
| 6         | 660830002-T800    | 支座螺栓密封圈      | WASHER 6.5×11×2     | 4              |
| 7         | 380140003-T800    | 六角法兰面螺栓M6×20 | BOLT , 6×20         | 4              |
| 8         | 660350006-T800    | 机械密封部件       | MACHINERY SEAL      | 1              |
| 9         | 660200013-T800    | 水泵叶轮         | WATER PUMP IMPELLER | 1              |
| 10        | 660210011-T800    | 涡壳           | VOLUTE CASING       | 1              |
| 11        | 380840461-T800    | 密封圈          | O-RING 44×4         | 1              |
| 12        | 660310009-T800    | 密封垫片         | GASKET              | 1              |
| 13        | 660220012-T800    | 泵体           | HOUSING OF PUMP     | 1              |



水泵部件 PUMP

| 序号<br>No. | 零部件图号<br>Part No. | 零部件名称        | Description           | 数量 (Reqd. No.) |
|-----------|-------------------|--------------|-----------------------|----------------|
| 14        | 380140186-T800    | 六角法兰面螺栓M6×55 | BOLT , 6×55           | 6              |
| 15        | 660820001-T800    | 密封圈          | O-RING 25×4           | 2              |
| 16        | 660240003-T800    | 螺塞           | PLUG                  | 2              |
| 17        | 380140013-T800    | 六角法兰面螺栓M6×16 | BOLT , 6×16           | 4              |
| 18        | 380840440-T800    | 密封圈          | GASKET 32×45×3        | 2              |
| 19        | 660280003-T800    | 软管接口         | TIE-IN , TUBE         | 2              |
| 20        | 660270003-T800    | 吸水管接头        | LINKER , TUBE         | 2              |
| 21        | 660260004-T800    | 输出法兰垫        | FLANGE , OUTPUT       | 1              |
| 22        | 660320005-T800    | 吸入阀          | CHECK VALVE           | 1              |
| 23        | 660230006-T800    | 负压法兰         | FLANGE , ENDURE PRESS | 1              |
| 24        | 380140375-T800    | 六角法兰面螺栓M6×85 | BOLT , 6×85           | 2              |
| 25        | 660300005-T800    | 滤网           | FILTER                | 1              |
| 26        | 660290005-T800    | 滤网盖          | COVER FILTER          | 1              |
| 27        | 380960085-T800    | 软管箍组件        | LOOP, TUBE            | 3              |
| 28        | 660250006-T800    | 输出法兰         | FLANGE, OUTPUT        | 1              |
| 29        | 660180015-T800    | 水泵部件         | PUMP COMP             | 1              |





隆鑫通用动力股份有限公司

Loncin motor co., Ltd.

详细地址：重庆市九龙坡区九龙工业园区华龙大道99号

Add:No.99Hualong Road, Jiulongpo District, Chongqing, China

Tel:86 23 8980 5678/86 23 8980 8505

Fax:86 23 8906 7566

Email:service@loncinengine.com

Website:www.loncinengine.com

**PRINTED IN CHINA**