

发电机机组零部件图册

PART CATALOGUE

LC3800DC LC3800DDC

LC5000DC LC5000DDC

LC6500DC LC6500DDC

LC8000DC LC8000DDC



版本号 **VERSION No.:** 2011-01

引言

本零部件图册汇编下列型号发电机组的所有配件：LC3800DC、LC3800DDC、LC5000DC、LC5000DDC、LC6500DC、LC6500DDC、LC8000DC、LC8000DDC。

This parts catalogue is compiled all service parts for models LC3800DC, LC3800DDC, LC5000DC, LC5000DDC, LC6500DC, LC6500DDC, LC8000DC, LC8000DDC.

1. 修订

当本零部件图册有修订和补充时，在适当的时候将发行修订版。为了您能够经常持有最新的零部件图册，建议您购买修订版，如想知道零部件图册修订版是否发行，请与隆鑫工业有限公司经营店联系。

When modifications or additions to this parts catalogue are made, a revised edition will be issued at an appropriate time. We recommend obtaining such revisions in order to keep your parts catalogue up-to-date at all times. To check whether a parts catalogue revision has been issued, please contact your LONCIN distributor.

2. 缩写词

ASSY. …… 总成 COMP. …… 组合 R. …… 右 L. …… 左 A. C. …… 交流电 D. C. …… 直流电
IN. …… 进气 EX. …… 排气 FR. …… 前部 RR. …… 后部 HEX. …… 六角

Abbreviations

ASSY. …… Assembly COMP. …… Complete R. …… Right L. …… Left A. C. …… Alternating current
D. C. …… Direct current IN. …… Inlet EX. …… Exhaust FR. …… Front RR. …… Rear HEX. ……

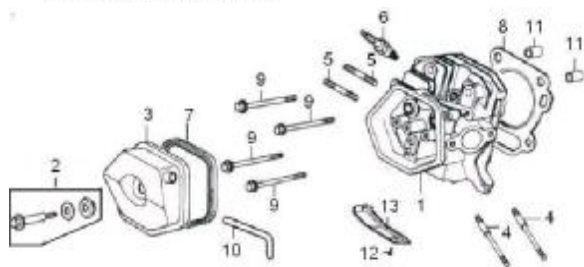
3. 零件数量

“零件数量 (Reqd. No.)” 栏中数字表示该方框所述部分的数量。 () 中的数字表示机型为D型的数量，即电起动机型的数量。“-”表示数量为0。

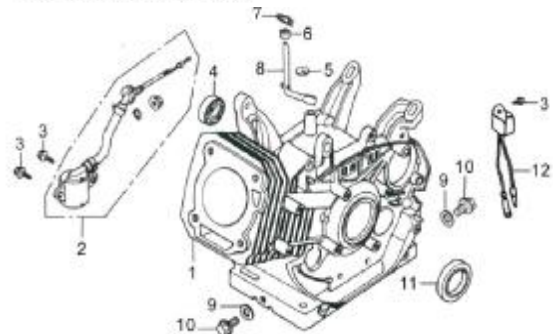
Required quantity

The number given in the “Reqd. No.” column indicates the quantity of parts used in the section described in that block. Quantities in () indicates the quantity of D model that is the generator with electric starter. The symbol - means zero.

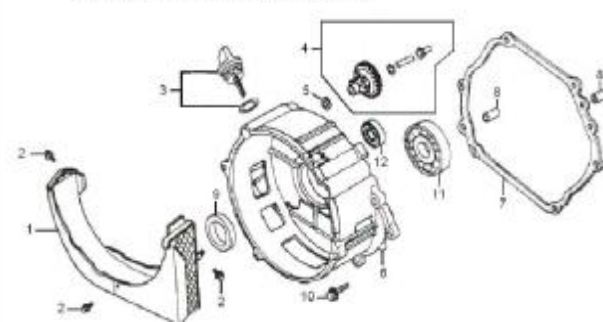
汽缸头 (Cylinder head)



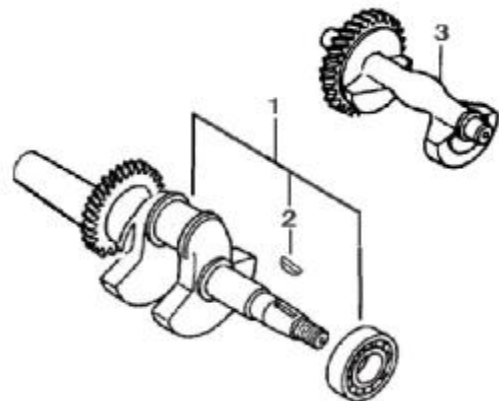
曲轴箱体 (Crank case)



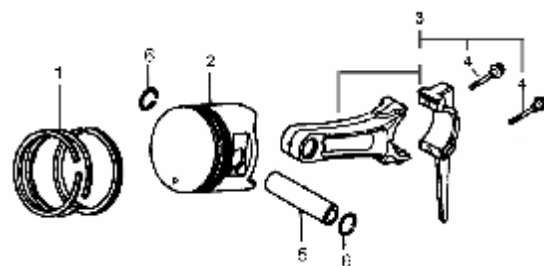
曲轴箱盖 (Crank case cover)



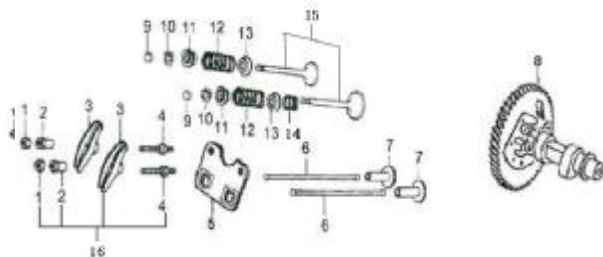
曲轴 (Crankshaft)



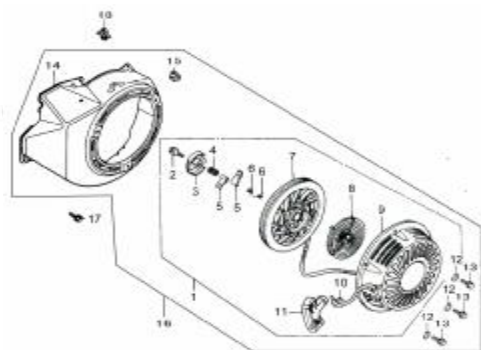
活塞连杆 (Piston/connecting rod)



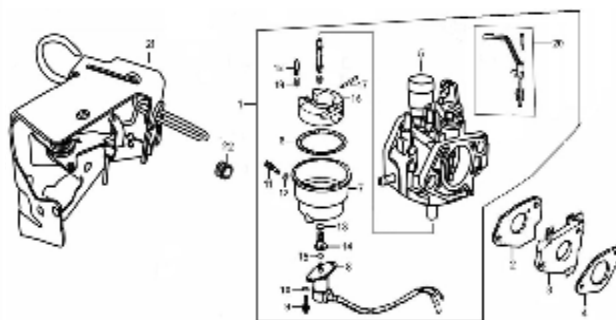
凸轮轴 (Camshaft)



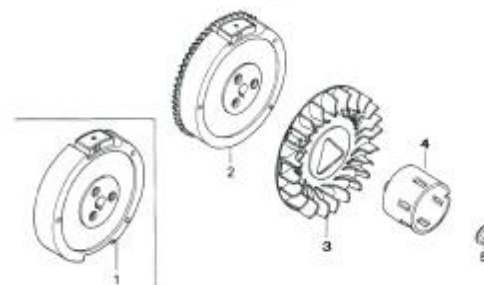
起动器 (Starter)

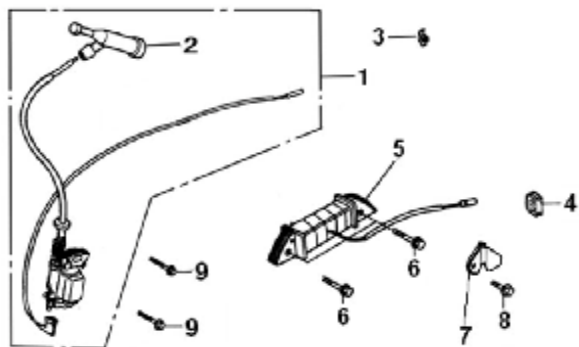


化油器 (Carburetor)

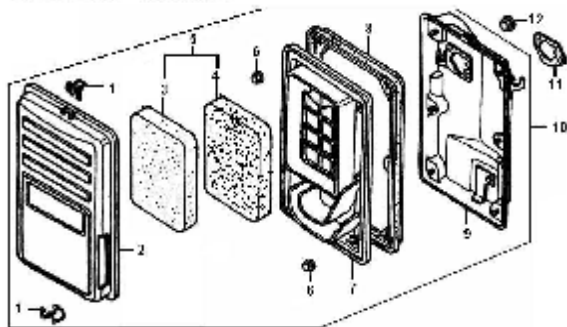


飞轮 (Flywheel)

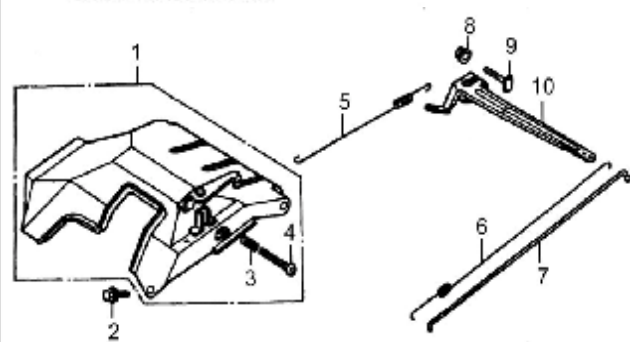




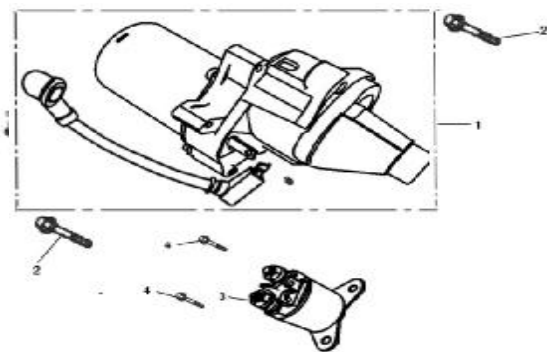
空滤器 (Air cleaner)



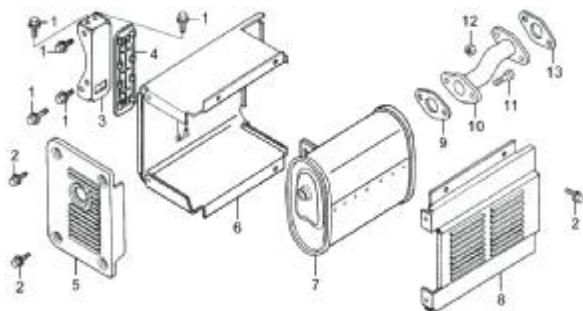
调速控制 (Control)



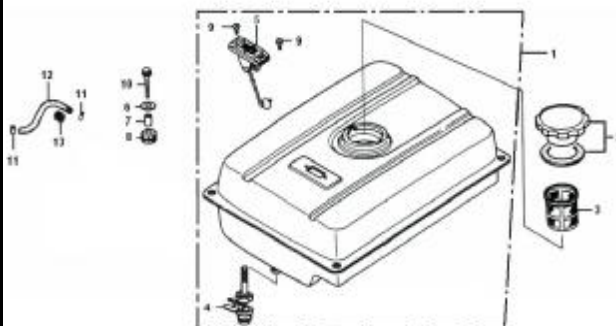
起动电机 (Starter motor)



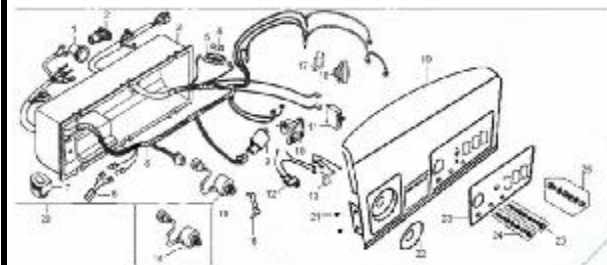
消声器(Muffler)



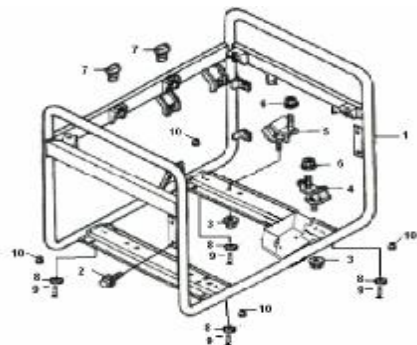
油箱(Fuel Tank)



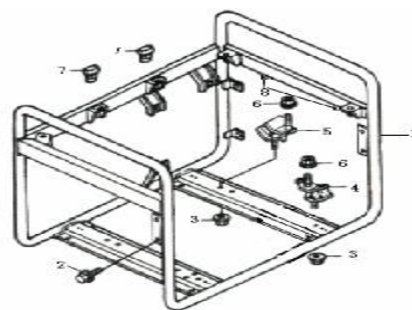
控制面板(Control panel)



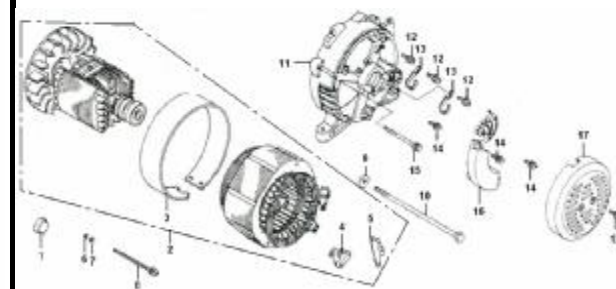
内置式机架 (Frame)



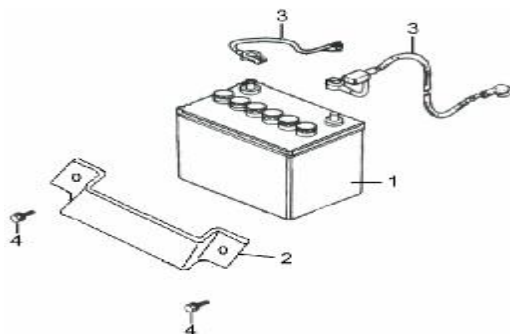
外置式机架 (Frame)



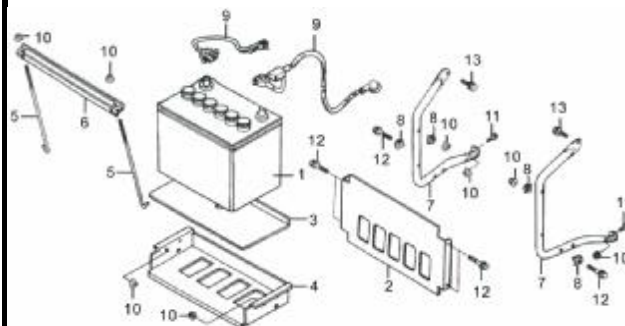
定子/转子/后支撑 (Stator/Totor/Housing)



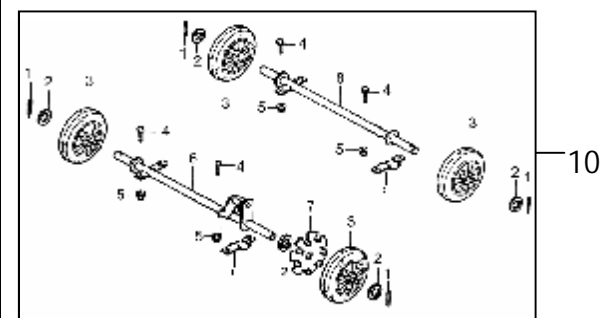
内置电起动附件 (Battery tray)

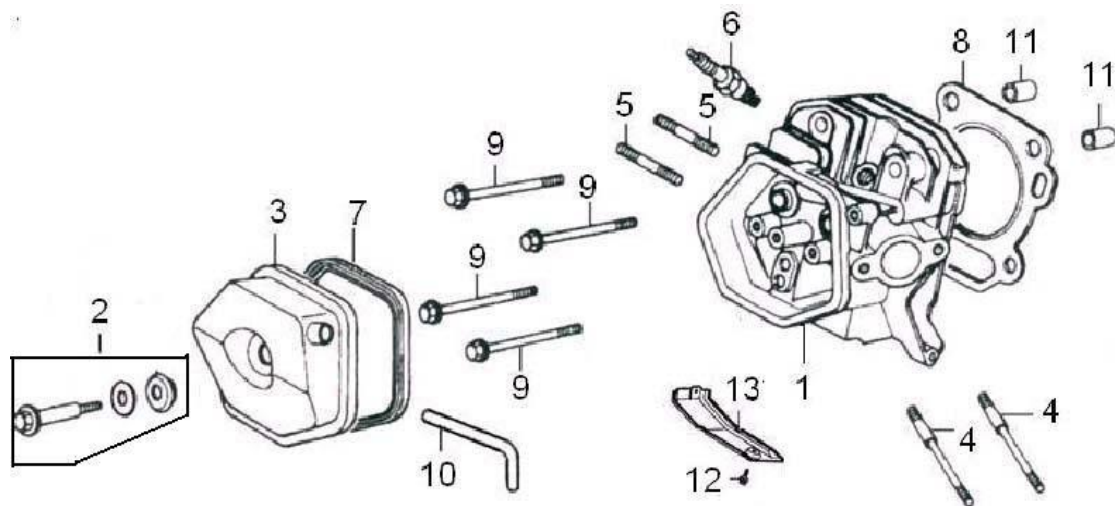


外置电起动附件 (Battery tray)



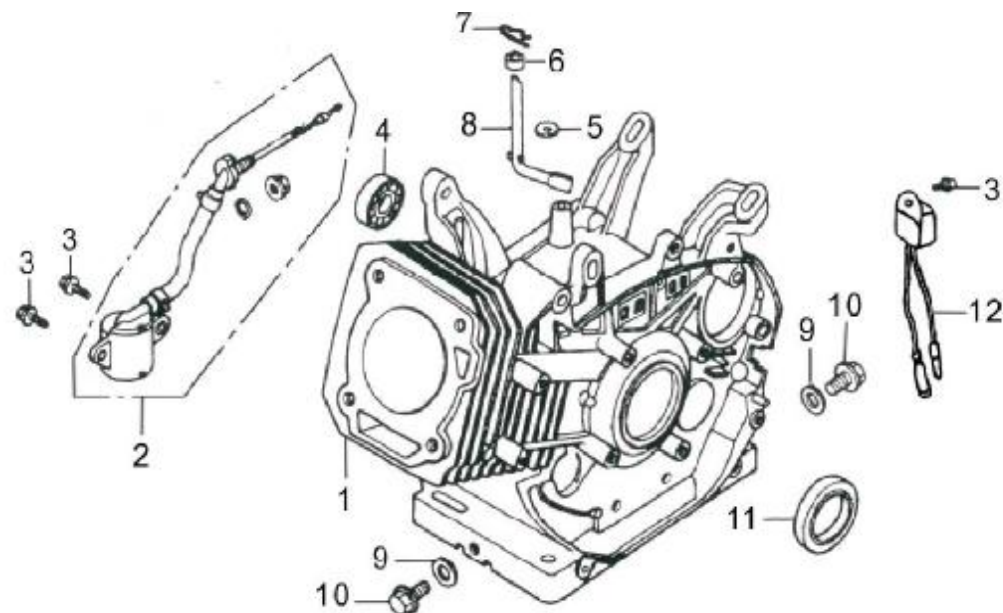
车轮总成(Wheel Kit Assy.)





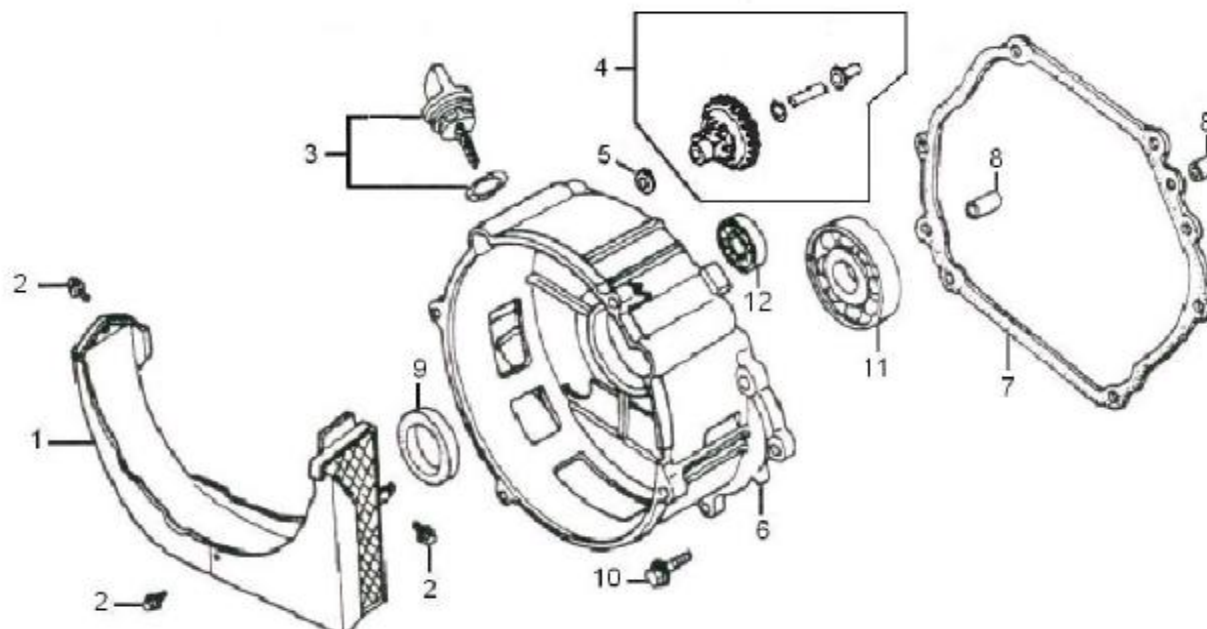
气缸头 (Cylinder head)

序号 Ser. No	零部件编号 Part No.	零部件名称	Description	数量 (Quantity)			
				3800(D)DC	5000(D)DC	6500(D)DC	8000(D)DC
1	120080277-T080	气缸头	HEAD COMP., CYLINDER	1(1)	-	-	-
	120080278-T110	气缸头	HEAD COMP., CYLINDER	-	1(1)	1(1)	-
	120080338-T190	气缸头	HEAD COMP., CYLINDER	-	-	-	1(1)
2	120420011-T110	气缸头盖螺栓组合	BOLT COMP., HEAD COVER	1(1)	1(1)	1(1)	1(1)
3	120220009-T110	气缸头盖组合	COVER COMP. HEAD	1(1)	1(1)	1(1)	1(1)
4	380180097-T540	双头螺栓6-8×98.5	BOLT, STUD, INTAKE 6-8×98.5	2(2)	-	-	-
	380180096-T560	双头螺栓6-8×106	BOLT, STUD, INTAKE6-8×106	-	2(2)	2(2)	2(2)
5	380180098-T040	双头螺栓8×34	BOLT, STUD, EXHAUST 8×34	2(2)	2(2)	2(2)	2(2)
6	270960025-T040	火花塞	SPARK PLUG	1(1)	1(1)	1(1)	1(1)
7	380840425-T110	密封圈	GASKET, CYLINDER	1(1)	1(1)	1(1)	1(1)
8	120150155-T080	气缸头密封垫	SEALING PAD, CYLINDER	1(1)	-	-	-
	120150156-T100	气缸头密封垫	SEALING PAD, CYLINDER	-	1(1)	-	-
	120150137-T11D	气缸头密封垫	SEALING PAD, CYLINDER	-	-	1(1)	-
	120150141-T190	气缸头密封垫	SEALING PAD, CYLINDER	-	-	-	1(1)



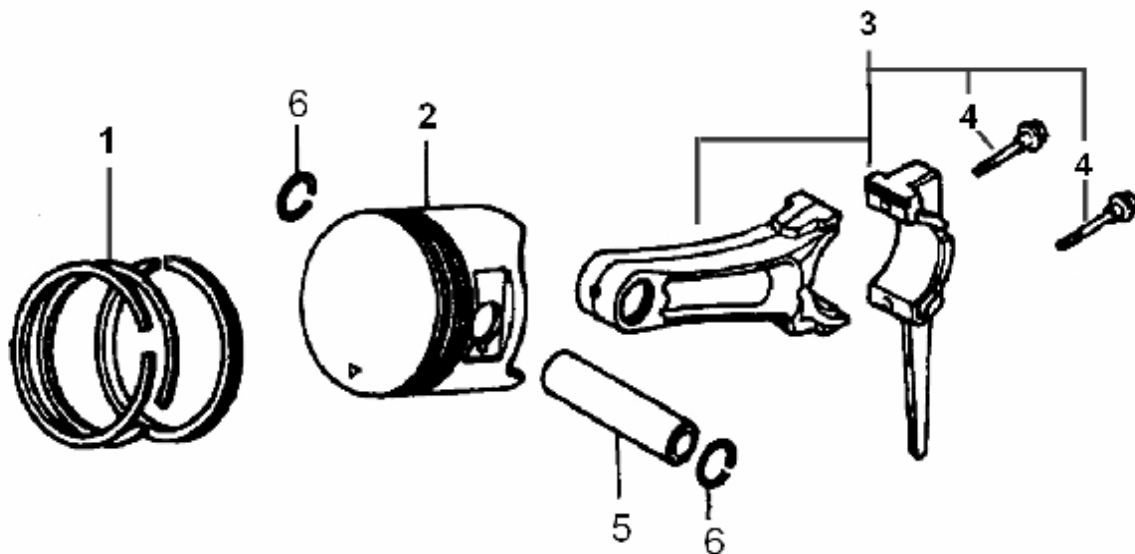
曲轴箱体 (Crankcase)

序号 Ser. No.	零部件编号 Part No.	零部件名称	Description	数量 (Quantity)			
				3800(D)DC	5000(D)DC	6500(D)DC	8000(D)DC
1	110810008-T080	曲轴箱体	CRANKCASE	1(-)	-	-	-
	110810009-T081	曲轴箱体	CRANKCASE	-(1)	-	-	-
	110810012-T100	曲轴箱体	CRANKCASE	-	1(-)	-	-
	110810013-T101	曲轴箱体	CRANKCASE	-	-(1)	-	-
	110810014-T110	曲轴箱体	CRANKCASE	-	-	1(-)	-
	110810015-T111	曲轴箱体	CRANKCASE	-	-	-(1)	-
	110810028-T120	曲轴箱体	CRANKCASE	-	-	-	1(-)
	110810035-T121	曲轴箱体	CRANKCASE	-	-	-	-(1)
2	281850152-T110	油位传感器	SWITCH ASSY., OIL LEVEL	1(1)	1(1)	1(1)	1(1)
3	380140001-0006	六角头法兰面螺栓M6×12	BOLT, FLANGEM6×12	3(3)	3(3)	3(3)	3(3)
4	380630099-0001	轴承6202	BEARING, RADIAL BALL 6202	-	1(1)	1(1)	1(1)
5	380450522-T110	平垫圈 8×16×1.2	WASHER, PLAIN 8×16×1.2	1(1)	1(1)	1(1)	1(1)
6	380650339-T110	油封8×14×4	OIL SEAL 8×14×4	-	1(1)	1(1)	1(1)
7	381350004-T040	销夹	PIN, LOCK	1(1)	1(1)	1(1)	1(1)



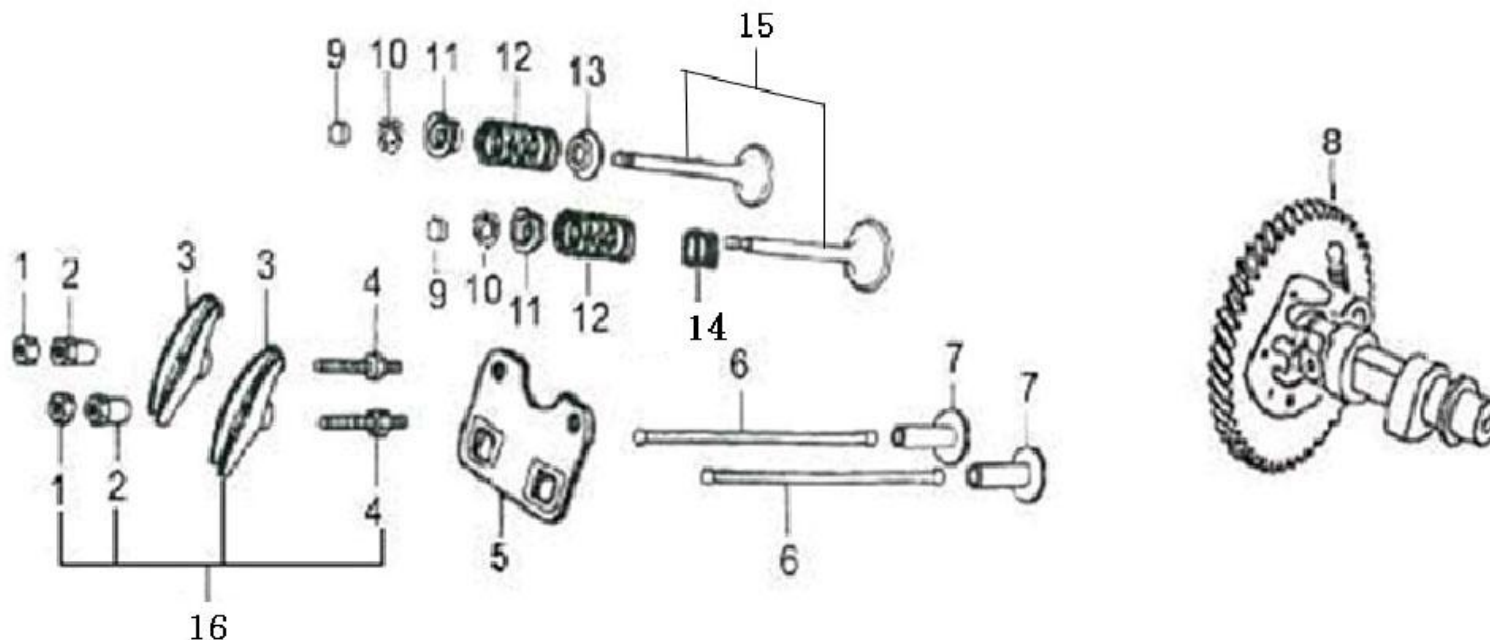
曲轴箱盖 (Crankcase cover)

序号 Ser. No	零部件编号 Part No.	零部件名称	Description	数量 (Quantity)			
				3800(D)DC	5000(D)DC	6500(D)DC	8000(D)DC
1	660040001-T540	电机风罩	COVER, DUST	1(1)	-	-	-
	660040002-T560	电机风罩	COVER, DUST	-	1(1)	1(1)	1(1)
2	380140332-0001	六角头法兰面螺栓M5×10	BOLT, FLANGE M5×10	3(3)	3(3)	3(3)	3(3)
3	110690039-T560	机油尺组合	CAP COMP., OIL FILLER	1(1)	1(1)	1(1)	1(1)
4	171750008-T080	调速齿轮部件	GOVERNOR ASSY.	1(1)	-	-	-
	171750004-T110	调速齿轮部件	GOVERNOR ASSY.	-	1(1)	1(1)	1(1)
5	380450531-T040	平垫圈 6×13×1	WASHER, PLAIN 6×13×1	1(1)	1(1)	1(1)	1(1)
6	110820001-T540	曲轴箱盖	CRANKCASE COVER	1(1)	-	-	-
	110820012-T560	曲轴箱盖	CRANKCASE COVER	-	1(1)	1(1)	-
	110820044-T560	曲轴箱盖	CRANKCASE COVER	-	-	-	1(1)
7	110830010-T09F	曲轴箱盖密封垫	PACKING, CASE COVER	1(1)	-	-	-
	110830008-T11D	曲轴箱盖密封垫	PACKING, CASE COVER	-	1(1)	1(1)	1(1)
8	380600119-0001	定位销8×12	PIN, DOWEL 8×12	2(2)	2(2)	2(2)	2(2)
9	380650336-T080	油封30×46×8	OIL SEAL 30×46×8	1(1)	-	-	-



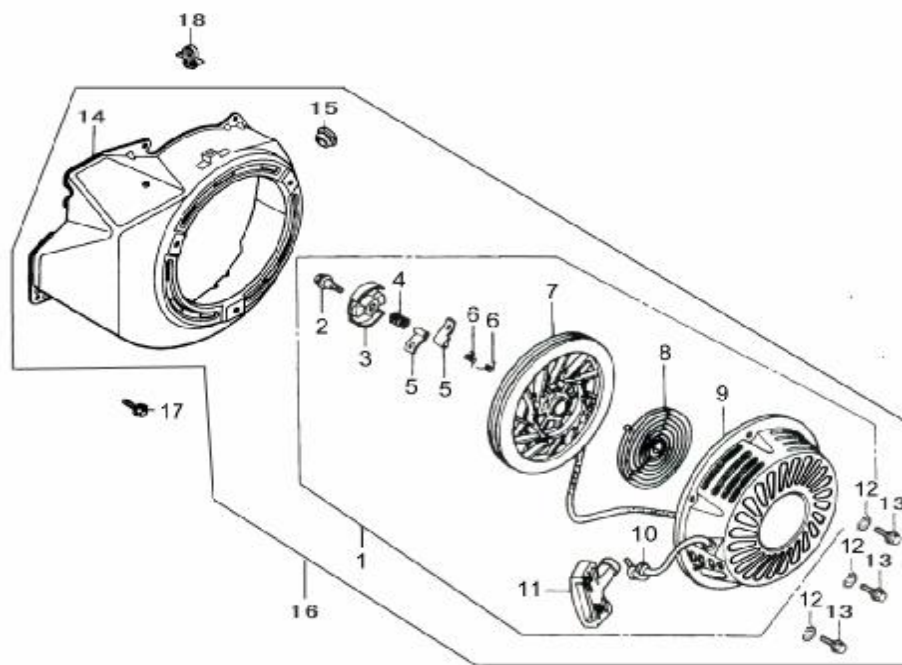
活塞连杆 (Piston/Connecting rod)

序号 Ser.No	零部件编号 Part No.	零部件名称	Description	数量 (Quantity)			
				3800(D)DC	5000(D)DC	6500(D)DC	8000(D)DC
1	130070080-T080	活塞环组合	RING SET, PISTON	1(1)	-	-	-
	130070082-T100	活塞环组合	RING SET, PISTON	-	1(1)	-	-
	130070083-T110	活塞环组合	RING SET, PISTON	-	-	1(1)	-
	130070088-T370	活塞环组合	RING SET, PISTON				1(1)
2	130030082-T080	活塞	PISTON	1(1)	-	-	-
	130030085-T100	活塞	PISTON	-	1(1)	-	-
	130030087-T110	活塞	PISTON	-	-	1(1)	-
	130030103-T190	活塞	PISTON	-	-	-	1(1)
3	130150040-T080	连杆	CONNECTING ROD ASSY.	1(1)	-	-	-
	130150043-T110	连杆	CONNECTING ROD ASSY.	-	1(1)	1(1)	-
	130150049-T190	连杆	CONNECTING ROD ASSY.	-	-	-	1(1)
4	130180002-T110	连杆螺栓	BOLT, CONNECTING ROD	2(2)	2(2)	2(2)	2(2)
5	130060032-T080	活塞销	PIN, PISTON	1(1)	-	-	-
	130060034-T110	活塞销	PIN, PISTON	-	1(1)	1(1)	1(1)



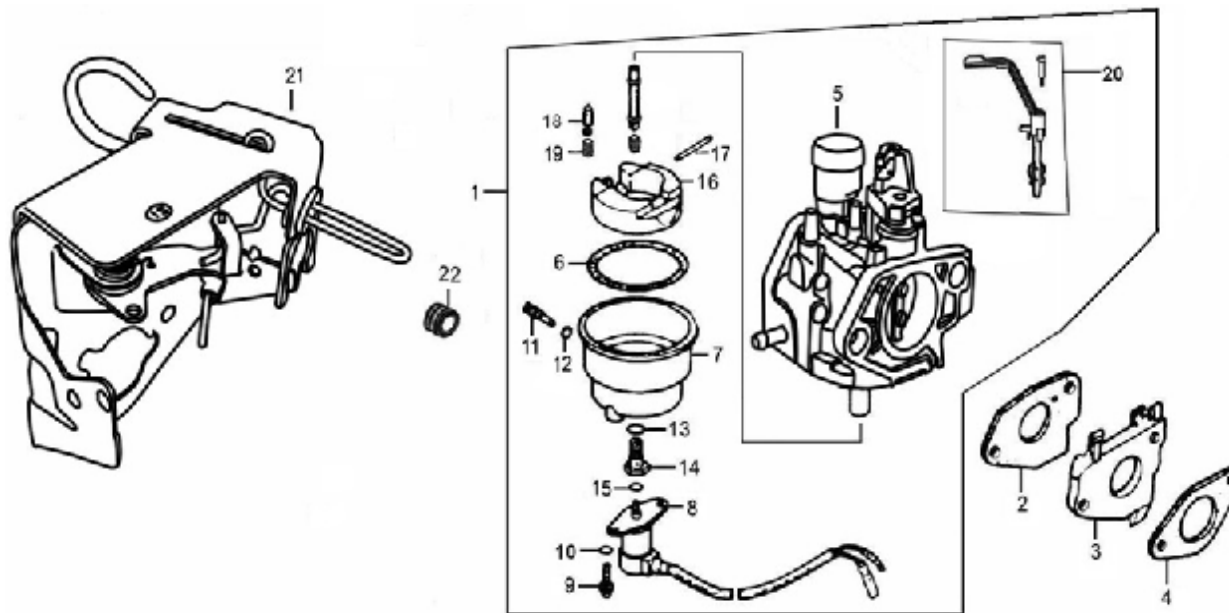
配气系统(GAS DISTRIBUTION ADJUSTMENT)

序号 Ser. No.	零部件图号 Part No.	零部件名称	Description	数量 (Reqd. No.)			
				3800D(D)C	5000D(D)C	6500D(D)C	8000D(D)C
1	140470001-T040	气门锁紧螺母	NUT, PIVOT ADJUSTING	2(2)	2(2)	2(2)	2(2)
2	140490012-T040	气门调节螺母	PIVOT ROCKER ARM	2(2)	2(2)	2(2)	2(2)
3	140460024-T110	气门摇臂	ROCKER ARM	2(2)	2(2)	2(2)	2(2)
4	140480012-T040	气门调节螺栓	BOLT POVIT	2(2)	2(2)	2(2)	2(2)
5	140710002-T110	推杆限位板组合	PLATE ASSY.	1(1)	1(1)	1(1)	1(1)
6	140670005-T080	挺杆	PUSH ROD	2(2)	-	-	-
	140670006-T110	挺杆	PUSH ROD	-	2(2)	2(2)	2(2)
7	140690004-T110	挺柱	LIFTER, VALVE	2(2)	2(2)	2(2)	2(2)
8	140020039-T080	凸轮轴组合	CAMSHAFT ASSY.	1(1)	-	-	-
	140020041-T100	凸轮轴组合	CAMSHAFT ASSY.	-	1(1)	-	-
	140020045-T110	凸轮轴组合	CAMSHAFT ASSY.	-	-	1(1)	-
	140020056-T190	凸轮轴组合	CAMSHAFT ASSY.	-	-	-	1(1)
9	140320002-T110	气门调整帽	ROTATOR, VALVE	2(2)	2(2)	2(2)	2(2)
10	140390015-T11D	气门锁夹	VALVE LOCKER	4(4)	4(4)	4(4)	4(4)



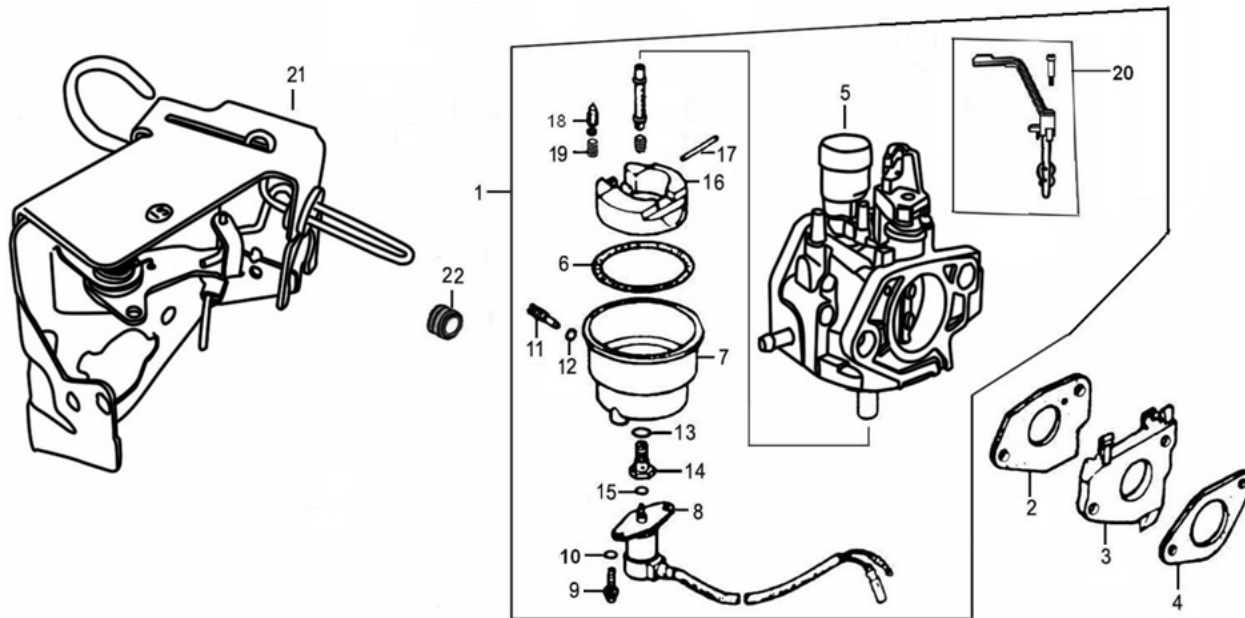
起动机 (Starter)

序号 Ser. No	零部件图号 Part No.	零部件名称	Description	数量 (Reqd. No.)			
				3800D(D)C	5000D(D)C	6500D(D)C	8000D(D)C
1	193500013-T080	手起动部件	STARTER ASSY.	1(1)	-	-	-
	193500017-T110	手起动部件	STARTER ASSY.	-	1(1)	1(1)	1(1)
2	380020067-T040	六角头轴肩螺栓	SCREW, SETTING	1(1)	1(1)	1(1)	1(1)
3	193550003-T040	驱动导向板	GUIDE, RATCHET	1(1)	1(1)	1(1)	1(1)
4	381150342-T040	压簧	SPRING, FRICTION	1(1)	1(1)	1(1)	1(1)
5	193540003-T040	驱动凸轮	RATCHET, STARTER	2(2)	2(2)	2(2)	2(2)
6	381160090-T040	扭簧	SPRING, RETURN	2(2)	2(2)	2(2)	2(2)
7	193520004-T080	拉绳盘	REEL, RECOIL STARTER	1(1)	-	-	-
	193520005-T110	拉绳盘	REEL, RECOIL STARTER	-	1(1)	1(1)	1(1)
8	193340019-T110	起动复位弹簧	SPRING, RECOIL STARTER	1(1)	1(1)	1(1)	1(1)
9	193640004-T080	拉绳盘罩	COVER COMP., FAN	1(1)	-	-	-
	193640007-T110	拉绳盘罩	COVER COMP., FAN	-	1(1)	1(1)	1(1)
10	193530005-T110	拉绳	ROPE	1(1)	1(1)	1(1)	1(1)
11	193560008-T110	拉绳手柄	KNOB, RECOIL STARTER	1(1)	1(1)	1(1)	1(1)



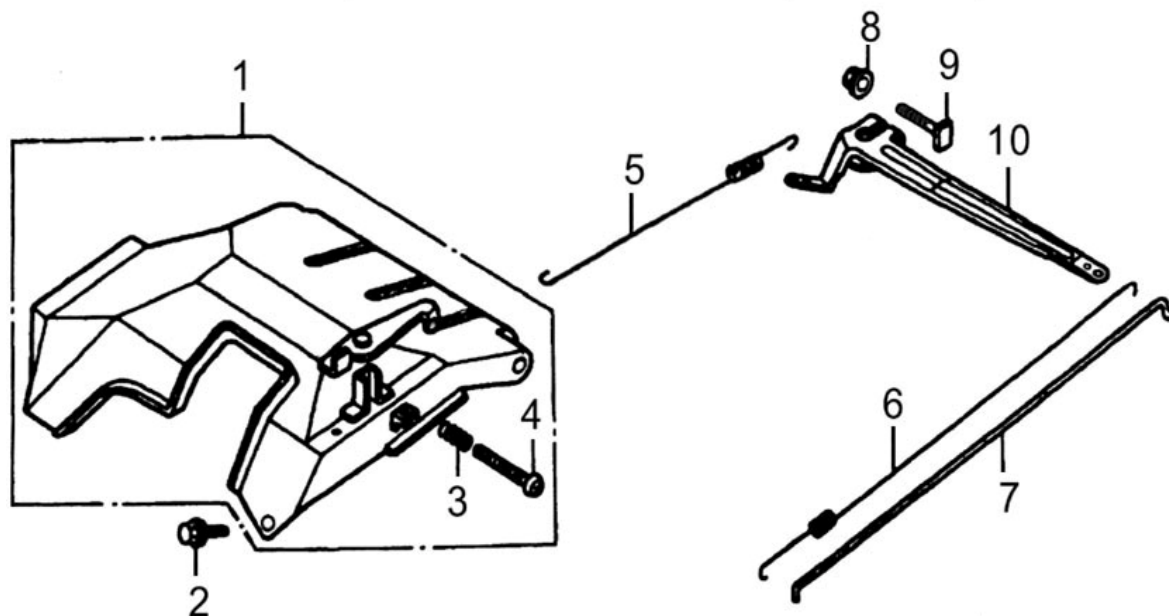
化油器 (Carburetor)

序号 Ser. No	零部件图号 Part No.	零部件名称	Description	数量 (Reqd. No.)			
				3800D(D)C	5000D(D)C	6500D(D)C	8000D(D)C
1	170020411-T540	化油器	CARBURETOR ASSY.	1(1)	-	-	-
	170020412-T550	化油器	CARBURETOR ASSY.	-	1(1)	-	-
	170020427-T560	化油器	CARBURETOR ASSY.	-	-	1(1)	-
	170020456-T570	化油器	CARBURETOR ASSY.	-	-	-	1(1)
2	170430049-T09F	化油器密封垫	GASKET, CARBURETOR	1(1)	-	-	-
	170430073-T100	化油器密封垫	GASKET, CARBURETOR	-	1(1)	-	-
	170430050-T11D	化油器密封垫	GASKET, CARBURETOR	-	-	1(1)	1(1)
3	170440039-T080	化油器隔热垫	SPACER, CARBURETOR	1(1)	-	-	-
	170440040-T100	化油器隔热垫	SPACER, CARBURETOR	-	1(1)	-	-
	170440041-T110	化油器隔热垫	SPACER, CARBURETOR	-	-	1(1)	1(1)
4	170430061-T09F	化油器密封垫	GASKET, INSULATOR	1(1)	-	-	-
	170430062-T11D	化油器密封垫	GASKET, INSULATOR	-	1(1)	1(1)	1(1)
5	170160040-T540	化油器主体	NOUMENON,CARBURETOR	1(1)	-	-	-
	170160041-T550	化油器主体	NOUMENON,CARBURETOR	-	1(1)	-	-



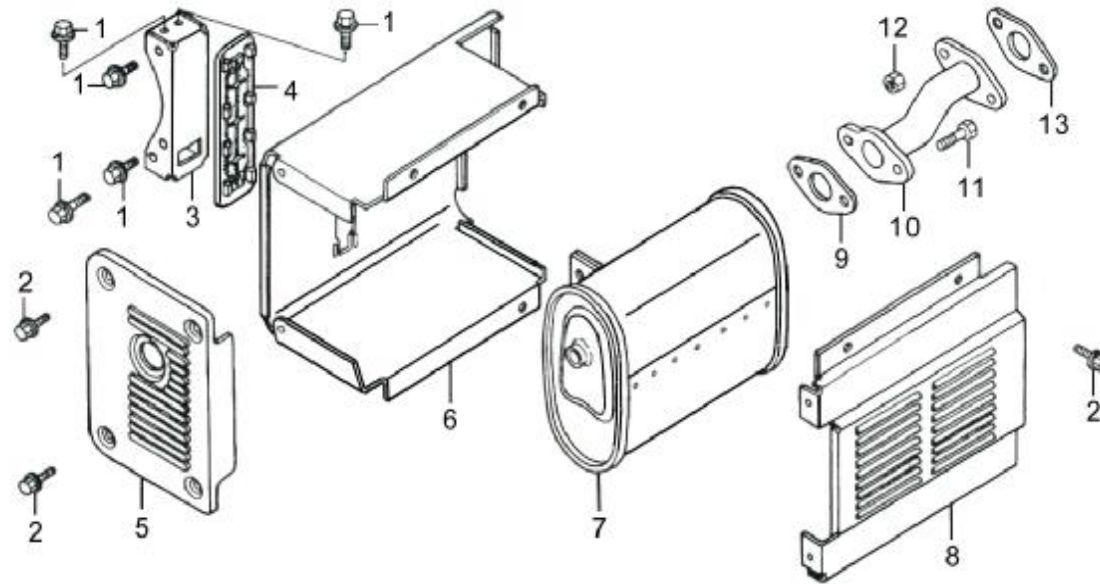
化油器 (Carburetor)

序号 Ser.No	零部件图号 Part No.	零部件名称	Description	数量 (Reqd. No.)			
				3800D(D)C	5000D(D)C	6500D(D)C	8000D(D)C
	170160042-T560	化油器主体	NOUMENON,CARBURETOR	-	-	1(1)	-
	170160043-T570	化油器主	NOUMENON,CARBURETOR	-	-	-	1(1)
6	380840456-T110	密封圈	GASKET, OIL CUP	1(1)	1(1)	1(1)	1(1)
7	170250023-T560	浮子室	OIL CUP	1(1)	1(1)	1(1)	1(1)
8	170420002-T560	电磁阀	VALVE ASSY., SOLENOID	1(1)	1(1)	1(1)	1(1)
9	380200006-0001	十字槽盘头螺钉M5×12	SCREW, PAN, 5×12	2(2)	2(2)	2(2)	2(2)
10	380460005-0007	弹性垫圈5	WASHER, SPRING, 5MM	2(2)	2(2)	2(2)	2(2)
11	380230020-T110	油杯放油螺塞	DRAIN BOLT	1(1)	1(1)	1(1)	-
	172930001-T040	油杯放油螺塞	DRAIN BOLT	-	-	-	1(1)
12	380450577-T040	密封圈(放油螺栓垫片)	GASKET,OIL CUP	1(1)	1(1)	1(1)	1(1)
13	380840841-T560	密封圈	GASKET, BOLT, OIL CUP	1(1)	1(1)	1(1)	1(1)
14	380140354-T560	六角头法兰面螺栓	BOLT, OIL CUP	1(1)	1(1)	1(1)	1(1)
15	380840519-T560	电磁阀密封圈	GASKET, SOLENOID	1(1)	1(1)	1(1)	1(1)
16	170280020-T110	浮子	FLOAT	1(1)	1(1)	1(1)	1(1)



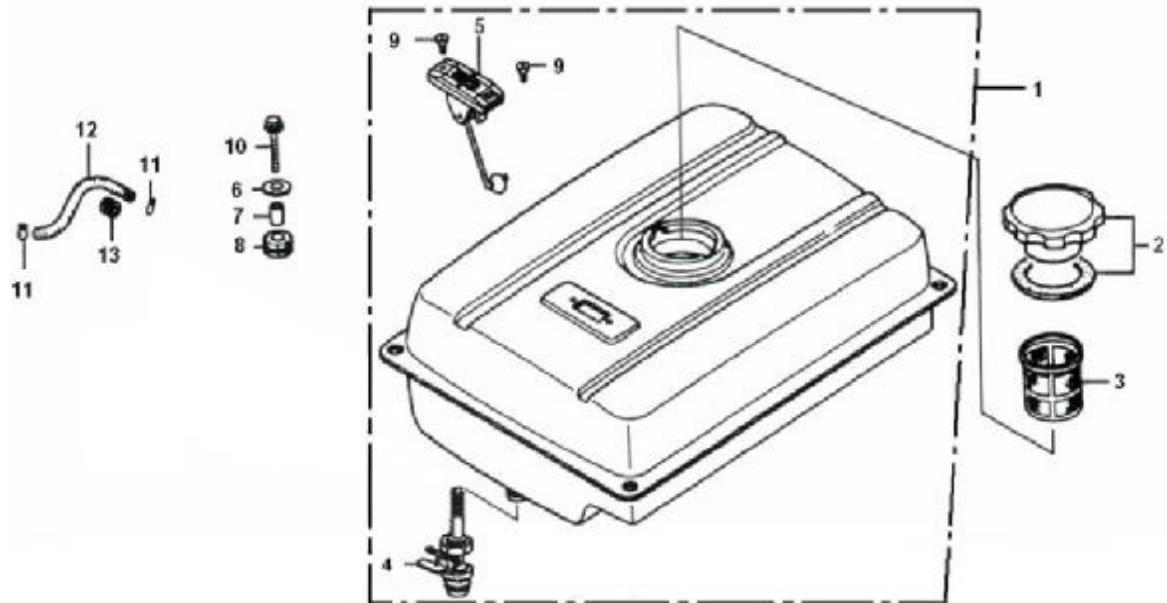
调速控制 (Control)

序号 Ser. No	零部件编号 Part No.	零部件名称	Description	数量 (Quantity)			
				3800(D)DC	5000(D)DC	6500(D)DC	8000(D)DC
1	171680001-T540	油门操纵手柄组合	CONTORL ASSY.	1(1)	-	-	-
	171680005-T560	油门操纵手柄组合	CONTORL ASSY.	-	1(1)	1(1)	1(1)
2	380140001-0006	六角法兰面螺栓M6×12	BOLT, FLANGE, 6×12	2(2)	2(2)	2(2)	2(2)
3	171660008-T560	调速限位簧	SPRING, CONTROL ADJUSTING	1(1)	1(1)	1(1)	1(1)
4	380200017-0005	十字槽盘头螺钉M5×35	SCREW, PAN	1(1)	1(1)	1(1)	1(1)
5	171600008-T540	调速弹簧	SPRING, GOVERNOR A	1(1)	-	-	-
	171600007-T560	调速弹簧	SPRING, GOVERNOR A	-	1(1)	1(1)	-
	171600016-T120	调速弹簧	SPRING, GOVERNOR A	-	-	-	1(1)
6	171610001-T110	节气门复位弹簧	SPRING, GOVERNOR B	1(1)	1(1)	1(1)	1(1)
7	171590003-T080	油门拉杆	ROD, GOVERNOR	1(1)	-	-	-
	171590005-T110	油门拉杆	ROD, GOVERNOR	-	1(1)	1(1)	1(1)
8	380370048-0001	螺母 M6	NUT, FLANGE, 6MM	1(1)	1(1)	1(1)	1(1)
9	380250002-T040	方头平端紧定螺钉M6×21	BOLT, GOVERNOR ARM	1(1)	1(1)	1(1)	1(1)
10	171620002-T080	调速支架	ARM, GOVERNOR	1(1)	-	-	-
	171620003-T110	调速支架	ARM, GOVERNOR	-	1(1)	1(1)	1(1)



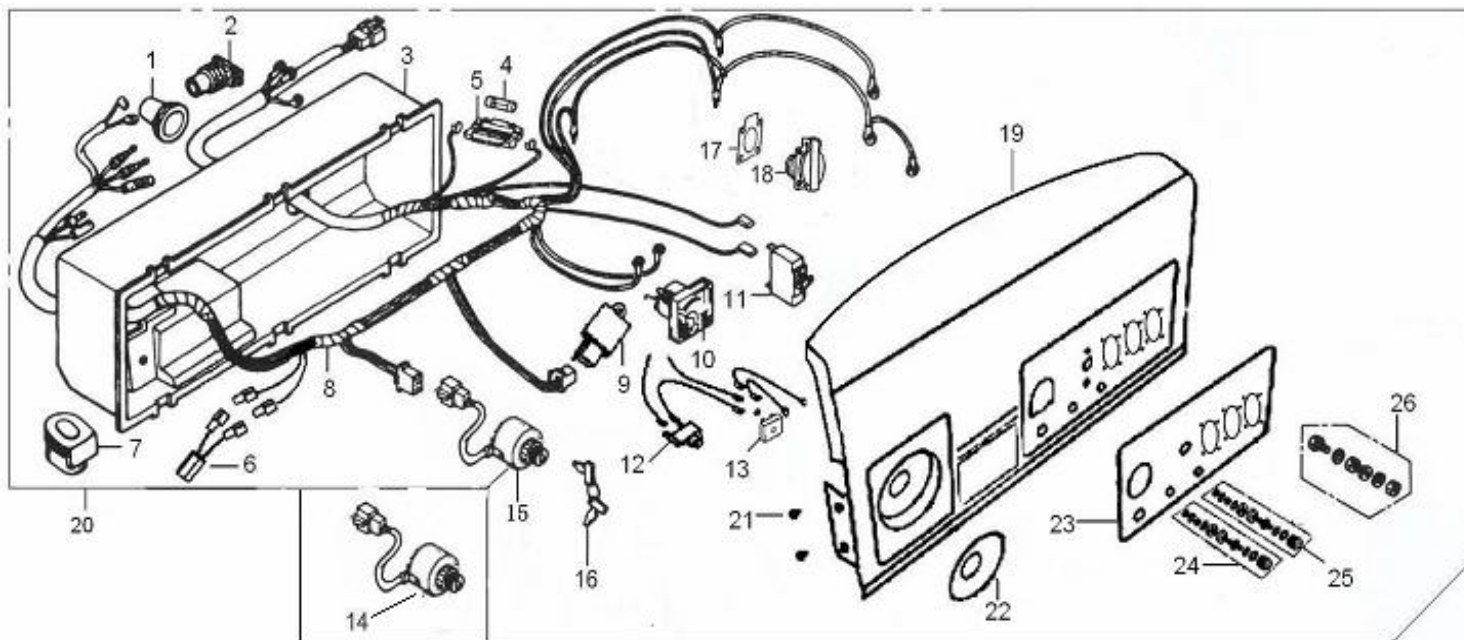
消声器 (Muffler)

序号 Ser. No	零部件编号 Part No.	零部件名称	Description	数量 (Quantity)			
				3800D(D)C	5000D(D)C	6500D(D)C	8000D(D)C
1	380140040-0005	六角法兰面螺栓M8×16	BOLT, FLANGE, 8×16	4(4)	4(4)	4(4)	4(4)
2	380140215-0003	六角法兰面螺栓M6×14	BOLT, FLANGE, 6×14	7(7)	7(7)	7(7)	7(7)
3	180990027-T560	消声器支架	STAY COMP., MUFFLER	1(1)	1(1)	1(1)	1(1)
4	180980001-T560	内罩胶条	SEAL, PROTECTOR MUFFLER	1(1)	1(1)	1(1)	1(1)
5	180770099-T560	消声器尾盖	PROTECTOR, MUFFLER SIDE	1(1)	1(1)	1(1)	1(1)
6	180960028-T540	消声器护罩	PROTECTOR COMP., MUFFLER INNER	1(1)	-	-	-
	180960029-T550	消声器护罩	PROTECTOR COMP., MUFFLER INNER	-	1(1)	-	-
	180960030-T560	消声器护罩	PROTECTOR COMP., MUFFLER INNER	-	-	1(1)	-
	180960031-T56P	消声器护罩	PROTECTOR COMP., MUFFLER INNER	-	-	-	1(1)
7	180570762-T540	消声器	MUFFLER ASSY.	1(1)	-	-	-
	180570765-T550	消声器	MUFFLER ASSY.	-	1(1)	-	-
	180570766-T560	消声器	MUFFLER ASSY.	-	-	1(1)	-
	180570825-T570	消声器	MUFFLER ASSY.	-	-	-	1(1)
8	180960019-T560	消声器护罩	PROTECTOR COMP., MUFFLER OUTER	1(1)	1(1)	1(1)	1(1)
9	180660049-T560	消声器垫圈	GASKET, EX., PIPE	1(1)	1(1)	1(1)	1(1)



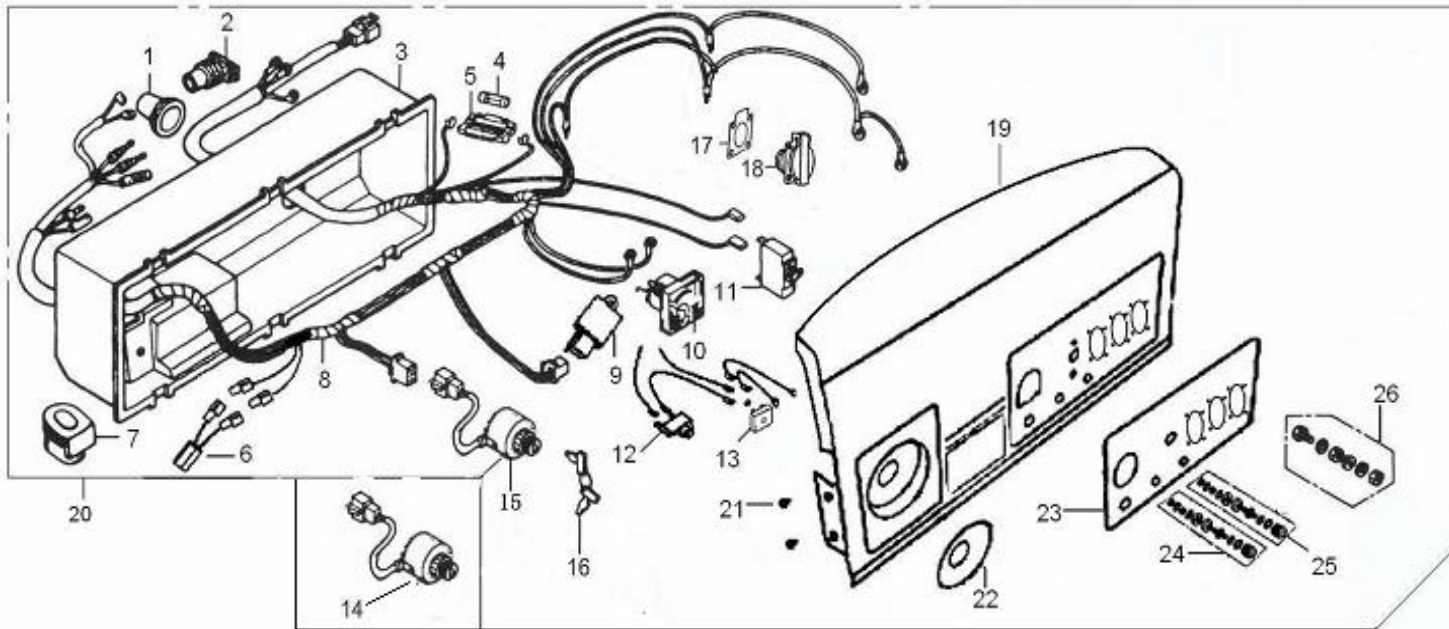
燃油箱 (Fuel tank)

序号 Ser. No	零部件编号 Part No.	零部件名称	Description	数量 (Quantity)			
				3800D(D)C	5000D(D)C	6500D(D)C	8000D(D)C
1	170490109-T560	油箱部件	TANK COMP., FUEL	1(1)	1(1)	1(1)	1(1)
2	170870044-T520	油箱盖	CAP COMP., FUEL FILLER	1(1)	1(1)	1(1)	1(1)
3	170720005-T560	燃油滤网	FILTER, FUEL TANK	1(1)	1(1)	1(1)	1(1)
4	170980057-T520	油开关	COCK COMP., FUEL	1(1)	1(1)	1(1)	1(1)
5	170740008-T560	油标部件	METER COMP., FUEL	1(1)	1(1)	1(1)	1(1)
6	380450444-0002	平垫	WASHER $\phi 6 \times \phi 25 \times 2$	4(4)	4(4)	4(4)	4(4)
7	170710014-T520	油箱衬管	COLLAR, TANK CUSHION	4(4)	4(4)	4(4)	4(4)
8	170700050-T520	油箱减震胶套	RUBBER, FUEL CUSHION	4(4)	4(4)	4(4)	4(4)
9	380220044-0002	十字槽沉头螺钉	SCREW, FLAT, 5×12	2(2)	2(2)	2(2)	2(2)
10	380140103-0004	六角头法兰面螺栓	BOLT, FLANGE, 6×25	4(4)	4(4)	4(4)	4(4)
11	380950188-0001	管夹	CLIP, TUBE	2(2)	2(2)	2(2)	2(2)
12	380750245-0001	油管	TUBE, FUEL	1(1)	1(1)	1(1)	1(1)
13	380770188-T560	保护套管	RUBBER, FUEL TUBE	1(1)	1(1)	1(1)	1(1)



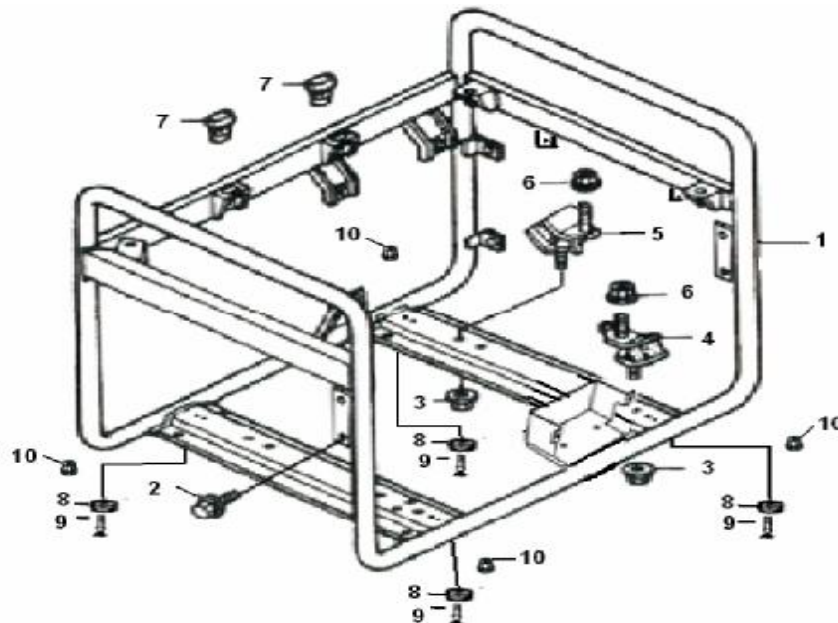
控制面板 (Control panel)

序号 Ser. No.	零部件图号 Part No.	零部件名称	Description	数量 (Reqd. No.)			
				3800D(D)C	5000D(D)C	6500D(D)C	8000D(D)C
1	380930031-T560	定位线卡	CROMMET, MAIN CORD	1(1)	1(1)	1(1)	1(1)
2	380930032-T560	定位线卡	CROMMET, A. C. CORD	1(1)	1(1)	1(1)	1(1)
3	271950003-T566	面板后罩壳	CASE, CONTROL PANEL	1(1)	1(1)	1(1)	1(1)
4	380990008-T560	保险管	FUSE, RECTIFIER	1(1)	1(1)	1(1)	1(1)
5	272490009-T560	保险管盒组合	CASE, FUSE CONNECTOR	1(1)	1(1)	1(1)	1(1)
6	271290080-T56C	过流保护器	PROTECTOR, CIRCUIT (5A)	- (1)	- (1)	- (1)	- (1)
7	380930029-T560	定位线卡	GROMMET, SWITCH CORD	1(1)	1(1)	1(1)	1(1)
8	272040041-T542	控制面板线束	HARNESS ASSY. WIRE	1(-)	1(-)	-	-
	272040042-T543	控制面板线束	HARNESS ASSY. WIRE	- (1)	- (1)	-	-
	272040016-T566	控制面板线束	HARNESS ASSY. WIRE	-	-	1(-)	1(-)
	272040017-T567	控制面板线束	HARNESS ASSY. WIRE	-	-	- (1)	- (1)
9	271930009-T56B	整流器	RECTIFIER	1(-)	1(-)	1(-)	1(-)
	271930001-T561	整流器	RECTIFIER	- (1)	- (1)	- (1)	- (1)
10	281910009-T520	电压表	VOLTMETER	1(1)	1(1)	1(1)	1(1)
11	271290011-T540	过流保护器	PROTECTOR, CIRCUIT (13A)	1(1)	-	-	-



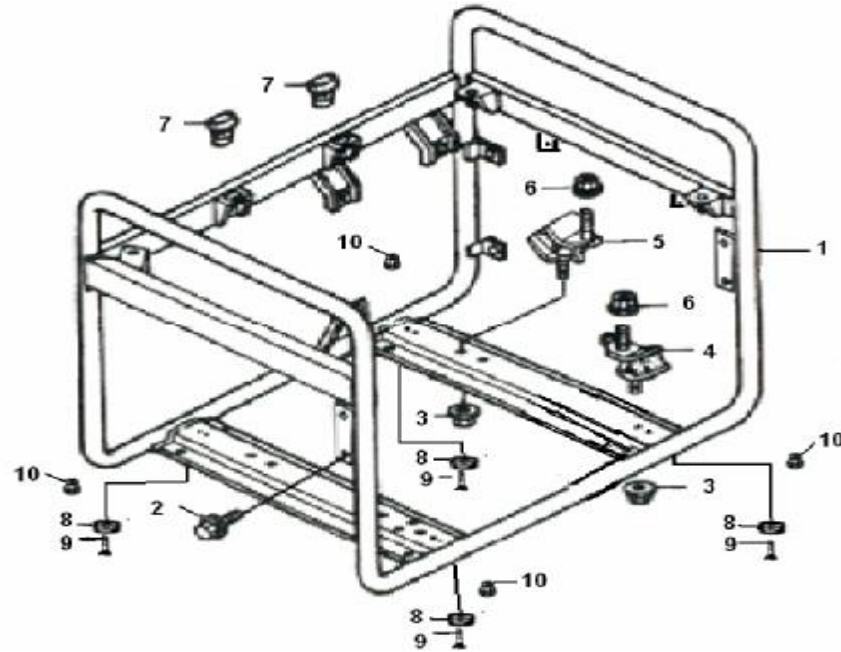
控制面板 (Control panel)

序号 Ser. No	零部件图号 Part No.	零部件名称	Description	数量 (Reqd. No.)			
				3800D(D)C	5000D(D)C	6500D(D)C	8000D(D)C
	271290017-T550	过流保护器	PROTECTOR, CIRCUIT (19A)	-	1(1)	-	-
	271290018-T560	过流保护器	PROTECTOR, CIRCUIT (23A)	-	-	1(1)	-
	271290041-T570	过流保护器	PROTECTOR, CIRCUIT (27A)	-	-	-	1(1)
12	271290033-T520	过流保护器	PROTECTOR, CIRCUIT(10A)	1(1)	1(1)	1(1)	1(1)
13	271920001-T566	整流桥	RECTIFIER BRIGE	1(1)	1(1)	1(1)	1(1)
14	271810009-T566	启动控制开关	SWITCH ASSY., COMBINATION	1(-)	1(-)	1(-)	1(-)
15	271810003-T567	启动控制开关	SWITCH ASSY., COMBINATION	- (1)	- (1)	- (1)	- (1)
16	271340040-T520	点火开关钥匙	KEY	1(1)	1(1)	1(1)	1(1)
17	271900001-T520	插座胶垫	WASHER, SOCKET	3(3)	3(3)	3(3)	3(3)
18	271890001-T560	电源插座组合	SOCKET	3(3)	3(3)	3(3)	3(3)
19	271860007-T566	控制面板	CONTROL PANEL	1(-)	1(-)	1(-)	1(-)
	271860008-T567	控制面板	CONTROL PANEL	- (1)	- (1)	- (1)	- (1)
20	271850645-T542	控制面板部件	CONTROL PANEL ASSY.	1(-)	-	-	-
	271850550-T543	控制面板部件	CONTROL PANEL ASSY.	- (1)	-	-	-
	271850189-T553	控制面板部件	CONTROL PANEL ASSY.	-	1(-)	-	-
	271850200-T554	控制面板部件	CONTROL PANEL ASSY.	-	- (1)	-	-



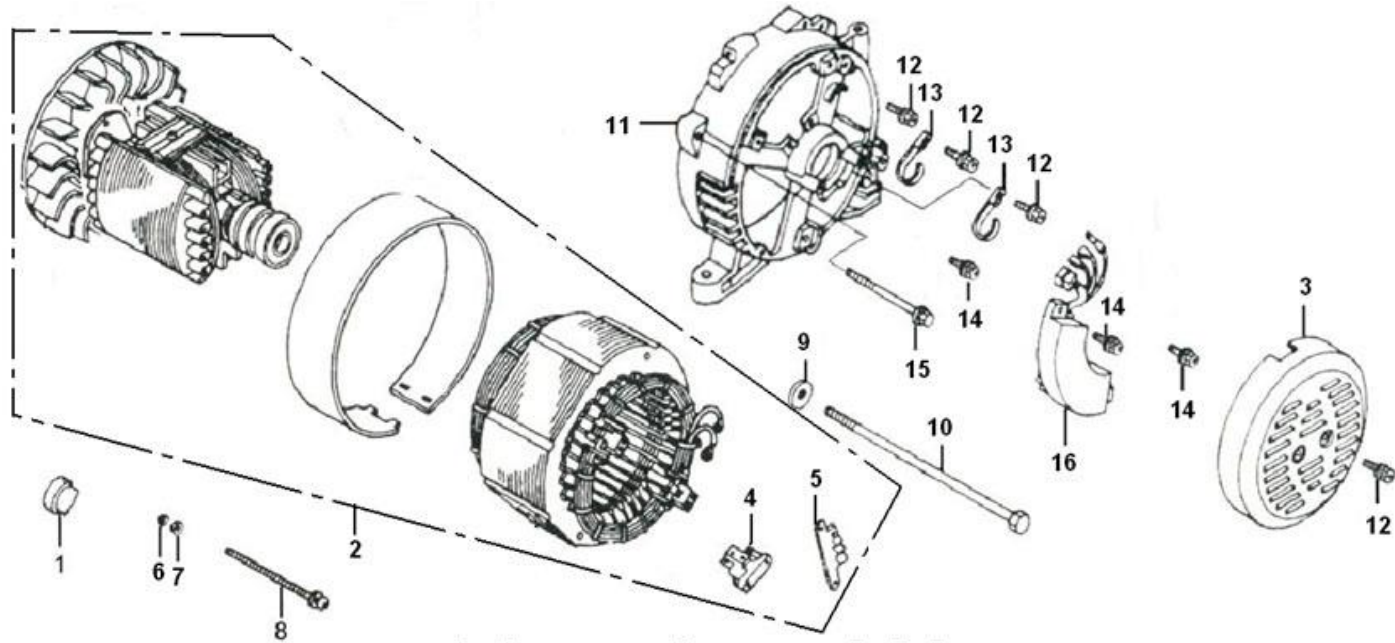
内置式机架 (Frame)

序号 Ser.No	零部件编号 Part No.	零部件名称	Description	数量 (Quantity)			
				3800(D)DC	5000(D)DC	6500(D)DC	8000(D)DC
1	300720034-T542	机架部件	FRAME COMP.	1(-)	-	-	-
	300720035-T543	机架部件	FRAME COMP.	-(1)	-	-	-
	300720042-T553	机架部件	FRAME COMP.	-	1(-)	-	-
	300720043-T554	机架部件	FRAME COMP.	-	-(1)	-	-
	300720061-T566	机架部件	FRAME COMP.	-	-	1(-)	-
	300720062-T567	机架部件	FRAME COMP.	-	-	-(1)	-
	300720073-T570	机架部件	FRAME COMP.	-	-	-	1(-)
	300720074-T571	机架部件	FRAME COMP.	-	-	-	-(1)
2	380140001-0006	法兰面螺栓M6×12	BOLT, FLANGE, 6×12	4(4)	4(4)	4(4)	4(4)
3	380370007-0004	六角法兰面螺母M8	NUT, FLANGE, 8MM	4(4)	4(4)	4(4)	4(4)
4	300780002-T560	主机缓冲座	RUBBER LEFT, BOTTOM	2(2)	2(2)	2(2)	2(2)
5	300790002-T560	主机缓冲座2	RUBBER RIGHT, BOTTOM	2(2)	2(2)	2(2)	2(2)
6	380370077-0001	六角法兰面螺母	NUT, FLANGE	4(4)	4(4)	4(4)	4(4)
7	170700051-T560	油箱减震胶垫	RUBBER, FUEL TANK MOUNTING	2(2)	2(2)	2(2)	2(2)
8	300770005-T810	机架减震座	RUBBER, SHOCK ABSORBER	4(4)	4(4)	4(4)	4(4)
9	380140215-0003	螺栓M6×14	BOLT, 6×14	4(4)	4(4)	4(4)	4(4)
10	380370048-0001	六角法兰面螺母	NUT, FLANGE	4(4)	4(4)	4(4)	4(4)



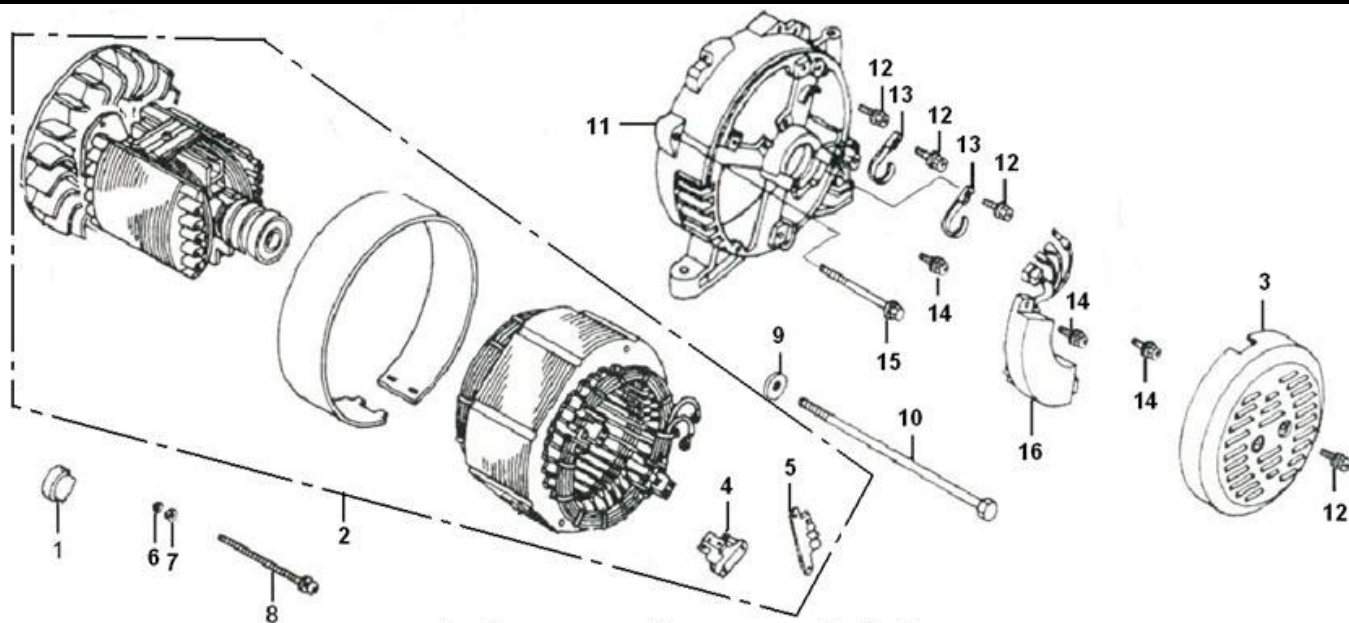
外置式机架 (Frame)

序号 Ser. No	零部件编号 Part No.	零部件名称	Description	数量 (Quantity)			
				3800(D)DC	5000(D)DC	6500(D)DC	8000(D)DC
1	300720034-T542	机架部件	FRAME COMP.	1(1)	-	-	-
	300720042-T553	机架部件	FRAME COMP.	-	1(1)	-	-
	300720061-T566	机架部件	FRAME COMP.	-	-	1(1)	-
	300720073-T570	机架部件	FRAME COMP.	-	-	-	1(1)
2	380140001-0006	法兰面螺栓M6×12	BOLT, FLANGE, 6×12	4(4)	4(4)	4(4)	4(4)
3	380370007-0005	六角法兰面螺母M8	NUT, FLANGE, 8MM	4(4)	4(4)	4(4)	4(4)
4	300780002-T560	主机缓冲座	RUBBER LEFT, BOTTOM	2(2)	2(2)	2(2)	2(2)
5	300790002-T560	主机缓冲座2	RUBBER RIGHT, BOTTOM	2(2)	2(2)	2(2)	2(2)
6	380370026-0001	六角头法兰面螺母	NUT, FLANGE	4(4)	4(4)	4(4)	4(4)
7	170700051-T560	油箱减震胶垫	RUBBER, FUEL TANK MOUNTING	2(2)	2(2)	2(2)	2(2)
8	300770005-T810	机架减震座	RUBBER, SHOCK ABSORBER	4(4)	4(4)	4(4)	4(4)
9	380140215-0003	螺栓M6×14	BOLT, 6×14	4(4)	4(4)	4(4)	4(4)
10	380370048-0001	六角法兰面螺母	NUT, FLANGE	4(4)	4(4)	4(4)	4(4)



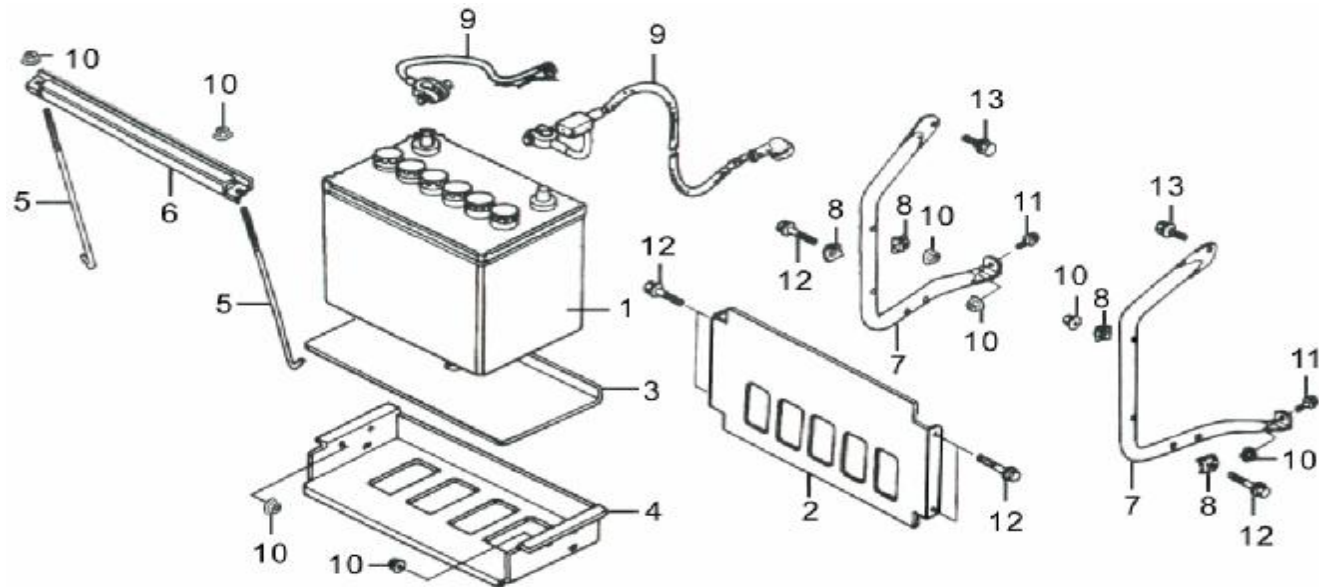
定子/转子/后支撑 (Stator/Totor/Housing)

序号 Ser. No	零部件图号 Part No.	零部件名称	Description	数量 (Reqd. No.)			
				3800D(D)C	5000D(D)C	6500D(D)C	8000D(D)C
1	660030002-T560	电机挡块	GROMMET, CRANKCASE	1(1)	1(1)	1(1)	1(1)
2	660080199-T542	电机部件	ALTERNATOR PARTS	1(1)	-	-	-
	660080202-T553	电机部件	ALTERNATOR PARTS	-	1(1)	-	-
	660080205-T566	电机部件	ALTERNATOR PARTS	-	-	1(1)	-
	660080260-T570	电机部件	ALTERNATOR PARTS	-	-	-	1(1)
3	660020002-T560	电机后端盖	COVER, GENERATOR END	1(1)	1(1)	1(1)	1(1)
4	660120001-T560	碳刷组合	BRUSH ASSY.	1(1)	1(1)	1(1)	1(1)
5	660140001-T560	电压接线板	TERMINAL, VOLT CHANGE	1(1)	1(1)	1(1)	1(1)
6	660780001-T560	电机定子螺母	NUT	2(2)	2(2)	2(2)	2(2)
7	380460005-0003	弹垫性圈	WASHER, SPRING, 5	2(2)	2(2)	2(2)	2(2)
8	380140493-T540	六角头法兰面螺栓	BOLT, FLANGE	2(2)	-	-	-
	380140495-T550	六角头法兰面螺栓	BOLT, FLANGE	-	2(2)	-	-
	380140494-T560	六角头法兰面螺栓	BOLT, FLANGE	-	-	2(2)	-
	380140496-T570	六角头法兰面螺栓	BOLT, FLANGE	-	-	-	2(2)
9	380450515-T560	平垫圈	WASHER	1(1)	1(1)	1(1)	1(1)



定子/转子/后支撑 (Stator/Totor/Housing)

序号 Ser. No	零部件图号 Part No.	零部件名称	Description	数量 (Reqd. No.)			
				3800D(D)C	5000D(D)C	6500D(D)C	8000D(D)C
10	380070178-T540	六角头螺栓	BOLT, HEX.	1(1)	-	-	-
	380070177-T550	六角头螺栓	BOLT, HEX.	-	1(1)	-	-
	380070179-T560	六角头螺栓	BOLT, HEX.	-	-	1(1)	-
	380070185-T570	六角头螺栓	BOLT, HEX.	-	-	-	1(1)
11	660010002-T560	电机后支撑	HOUSING, RR	1(1)	1(1)	1(1)	1(1)
12	380140167-0002	六角头法兰面螺栓	BOLT, FLANGE,	7 (7)	7 (7)	7 (7)	7 (7)
13	380900061-T560	箍带	TIE, CABLE	2(2)	2(2)	2(2)	2(2)
14	380140053-0002	六角头法兰面螺栓	BOLT, FLANGE,	3 (3)	3 (3)	3 (3)	3 (3)
15	380140350-T540	六角头法兰面螺栓	BOLT, FLANGE	4(4)	-	-	-
	380140347-T550	六角头法兰面螺栓	BOLT, FLANGE	-	4(4)	-	-
	380140348-T560	六角头法兰面螺栓	BOLT, FLANGE	-	-	4(4)	-
	380140349-T570	六角头法兰面螺栓	BOLT, FLANGE	-	-	-	4(4)
16	660150091-T566	调压器	REGULATOR ASSY., AUTOMATIC VOLTAGE	1(1)	1(1)	1(1)	-
	660150106-T570	调压器	REGULATOR ASSY., AUTOMATIC VOLTAGE	-	-	-	1(1)



电起动附件 (Battery tray)

序号 Ser. No	零部件图号 Part No.	零部件名称	Description	数量 (Reqd. No.)			
				3800D(D)C	5000D(D)C	6500D(D)C	8000D(D)C
1	271060147-T561	蓄电池	BATTERY ASSY.	- (1)	- (1)	- (1)	- (1)
2	271200004-T561	蓄电池护板	PLATE, BATTERY GUARD	- (1)	- (1)	- (1)	- (1)
3	271100002-T561	蓄电池底座	PLATE, BATTERY	- (1)	- (1)	- (1)	- (1)
4	271190004-T561	蓄电池托架	BASE, BATTERY TRAY	- (1)	- (1)	- (1)	- (1)
5	271210001-T561	蓄电池压架连接杆	BOLT, BATTERY SETTING	- (2)	- (2)	- (2)	- (2)
6	271170004-T561	蓄电池压架	PLATE, BATTERY SETTING	- (1)	- (1)	- (1)	- (1)
7	271180003-T561	蓄电池边框架	GUARD, BATTERY	- (2)	- (2)	- (2)	- (2)
8	380480017-T561	碟形垫圈	WASHER, FRAME JOINT	- (8)	- (8)	- (8)	- (8)
9	271270007-T561	正极接线	CABLE ASSY.	- (1)	- (1)	- (1)	- (1)
10	380370048-0001	六角法兰面螺母	NUT, FLANGE	- (12)	- (12)	- (12)	- (12)
11	380140067-0003	六角头法兰面螺栓	BOLT, FLANGE	- (2)	- (2)	- (2)	- (2)
12	380140095-0005	六角头法兰面螺栓	BOLT, FLANGE	- (8)	- (8)	- (8)	- (8)
13	380140040-0005	六角头法兰面螺栓	BOLT, FLANGE	- (2)	- (2)	- (2)	- (2)



隆鑫通用动力股份有限公司

Loncin motor co., Ltd.

详细地址：重庆市九龙坡区九龙工业园区华龙大道99号

Add:No.99Hualong Road,Jiulongpo District,Chongqing,China

Tel:86 23 8980 5678/86 23 8980 8505

Fax:86 23 8906 7566

Email:service@loncinengine.com

Website:www.loncinengine.com

PRINTED IN CHINA