



# 发电机机组零部件图册

PART CATALOGUE

**LC1800DC LC1800DDC**

**LC2500DC LC2500DDC**

**LC3000DC LC3000DDC**



版本号 **VERSION No.:** 2011-01

# 零件目录使用说明(Instruction for use of parts catalogue)

本零部件图册汇编下列型号发电机组的所有配件：LC1800DC、LC1800DDC、LC2500DC、LC2500DDC、LC3000DC、  
This parts catalogue is compiled all service parts for models LC1800DC, LC1800DDC, LC2500DC, LC2500DDC, LC3000DC, LC3000DDC.

## 1. 修订

当本零部件图册有修订和补充时，在适当的时候将发行修订版。为了您能够经常持有最新的零部件图册，建议您购买修订版，如想知道零部件图册修订版是否发行，请与隆鑫工业有限公司经营店联系。

When modifications or additions to this parts catalogue are made, a revised edition will be issued at an appropriate time. We recommend obtaining such revisions in order to keep your parts catalogue up-to-date at all times. To check whether a parts catalog

## 2. 缩写词

ASSY. …… 总成    COMP. …… 组合    R. …… 右    L. …… 左    A. C. …… 交流电    D. C. …… 直流电  
IN. …… 进气    EX. …… 排气    FR. …… 前部    RR. …… 后部    HEX. …… 六角

### Abbreviations

ASSY. …… Assembly    COMP. …… Complete    R. …… Right    L. …… Left    A. C. …… Alternating current  
D. C. …… Direct current    IN. …… Inlet    EX. …… Exhaust    FR. …… Front    RR. …… Rear    HEX. …… Hexagonal

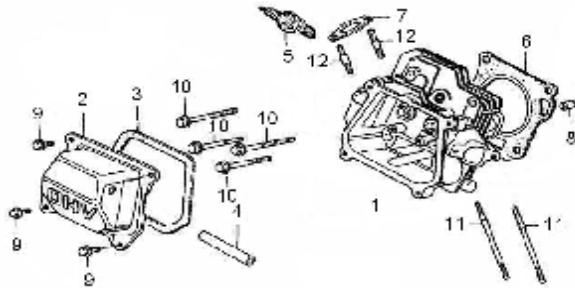
## 3. 零件数量

“零件数量 (Reqd. No.)” 栏中数字表示该方框所述部分的数量。( ) 中的数字表示机型为D型的数量，即电起动机型的数量。“-” 表示数量为0。

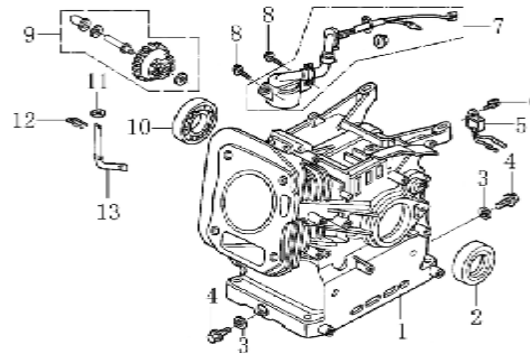
### Required quantity

The number given in the “Reqd. No.” column indicates the quantity of parts used in the section described in that block. Quantities in ( ) indicates the quantity of D model that is the generator with electric starter. The symbol - means zero.

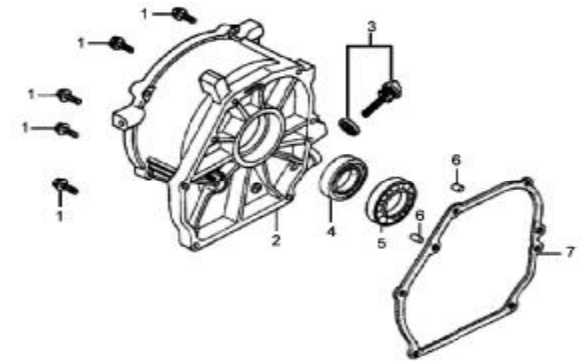
气缸头(CYLINDER HEAD)



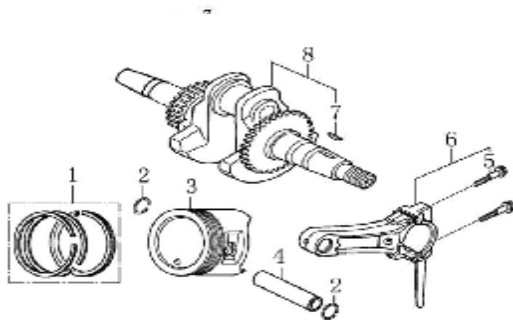
曲轴箱体(CRANK CASE)



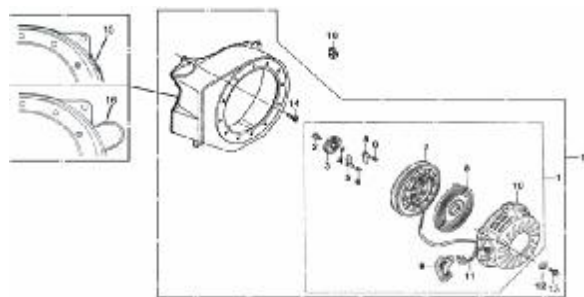
曲轴箱盖(CRANKCASE COVER)



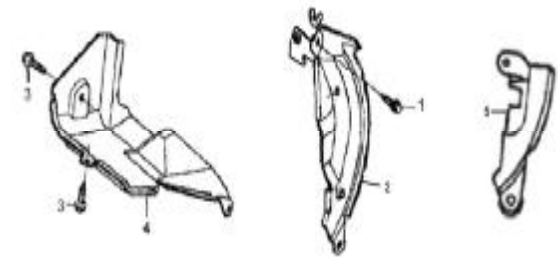
曲轴 活塞 (CRANKSHAFT PISTON)



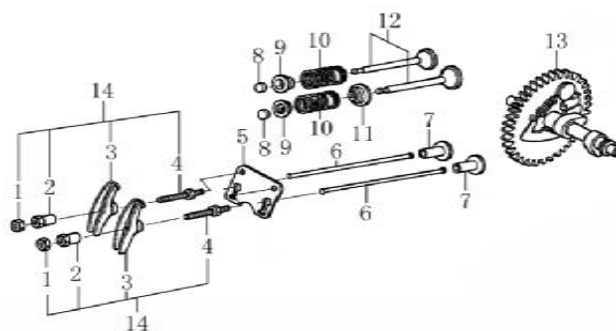
起动器组件(STARTER SUBASSEMBLY)



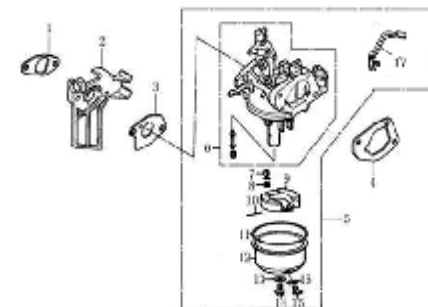
导风部件(DIVERSION ASSY.)



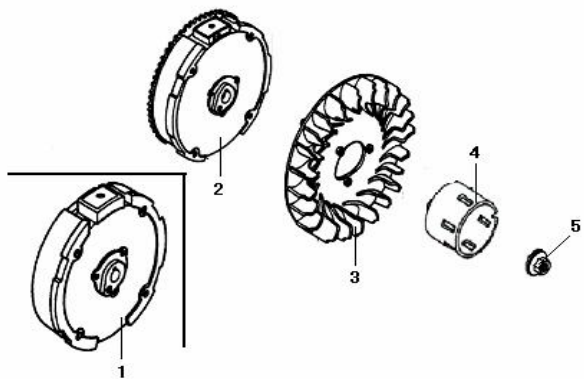
配气系统(GAS DISTRIBUTION ADJUSTMENT)



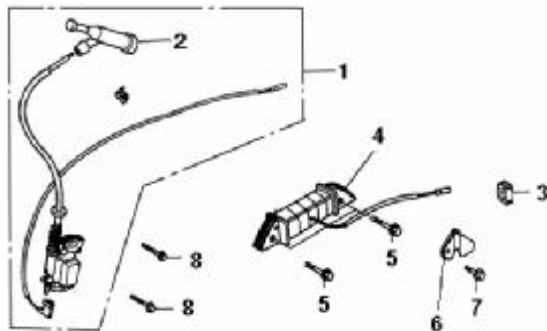
化油器(CARBURETOR)



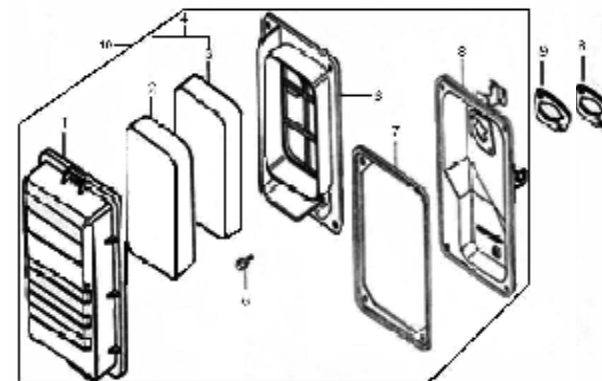
飞轮(FLYWHEEL)



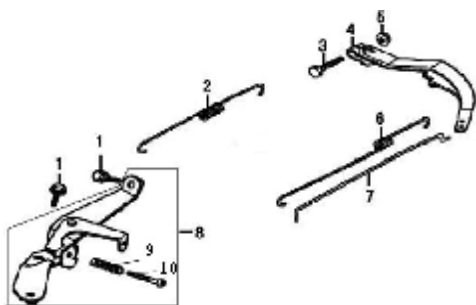
点火器(IGNITION COMP.)



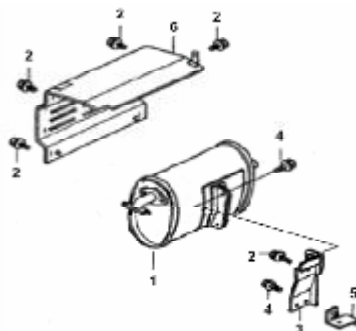
空气滤清器(AIR CLEANER)



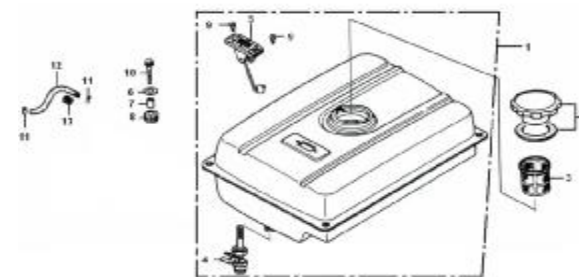
调速控制系统(CONTROL)



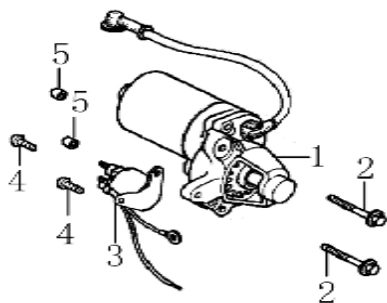
消声器(MUFFLER)



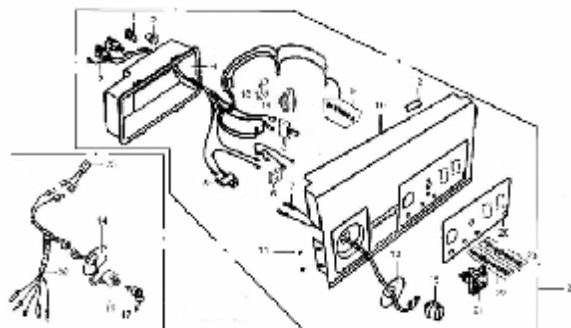
油箱(FUEL TANK)



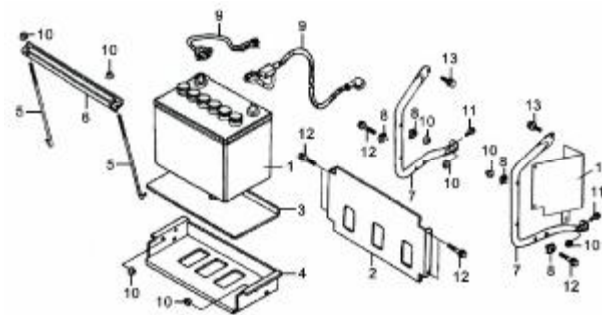
起动电机(STARTER MOTOR)



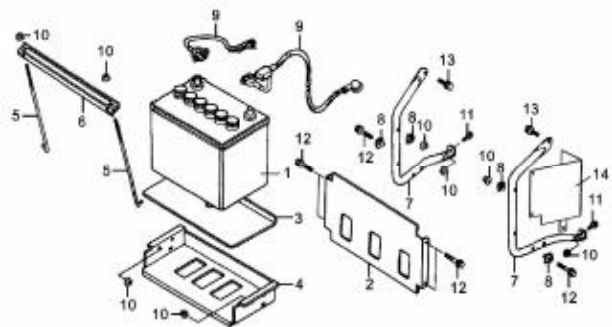
控制面板(CONTROL PANEL)



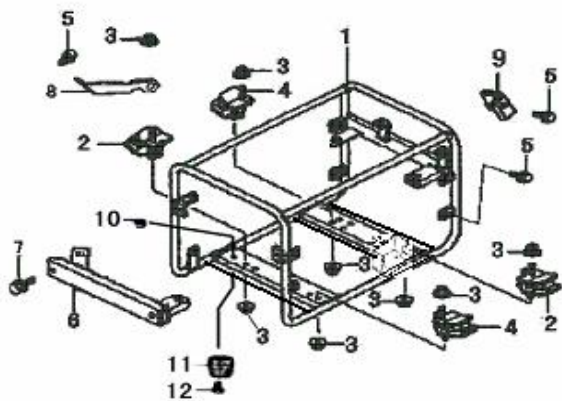
外置电起动附件(BATTERY TRAY)



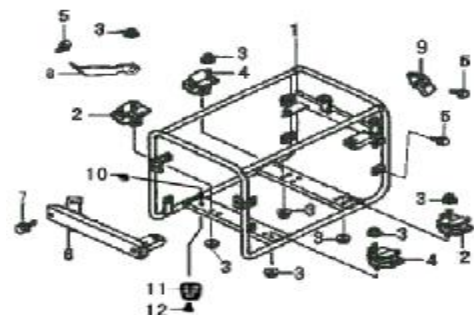
外置电起动附件(BATTERY TRAY)



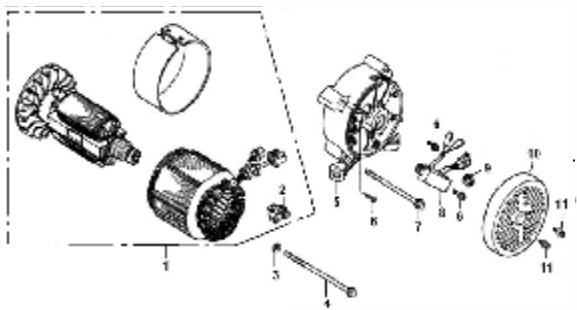
内置式机架(FRAME)



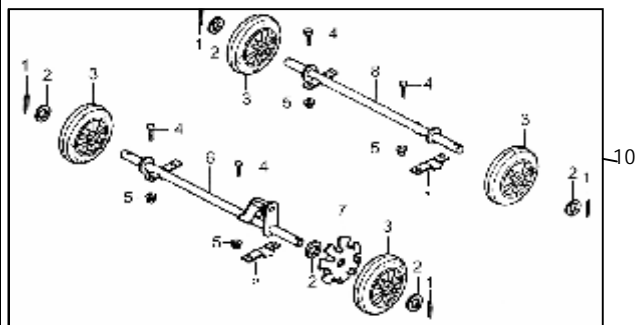
外置式机架(FRAME)

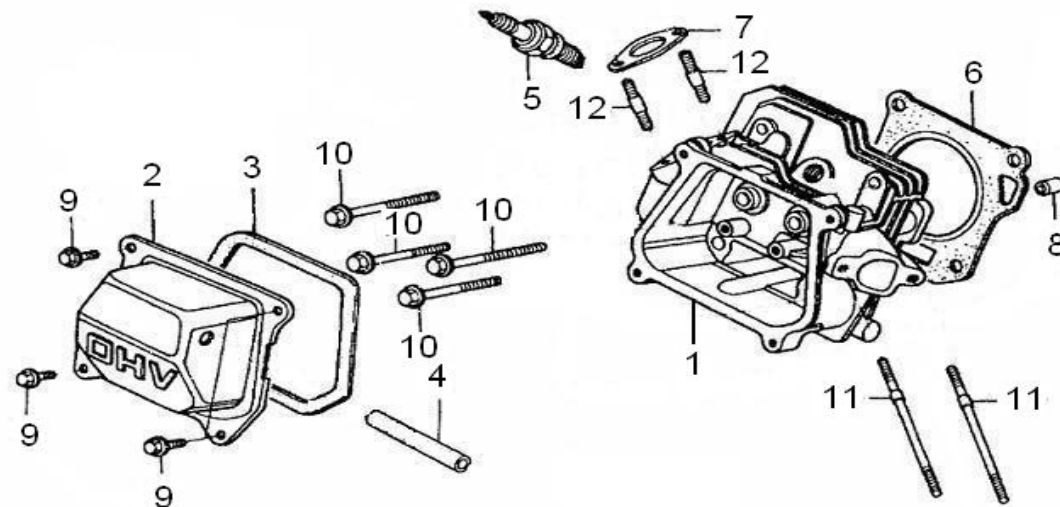


定子/转子/后支撑  
(STATOR/ ROTOR/ HOUSING)



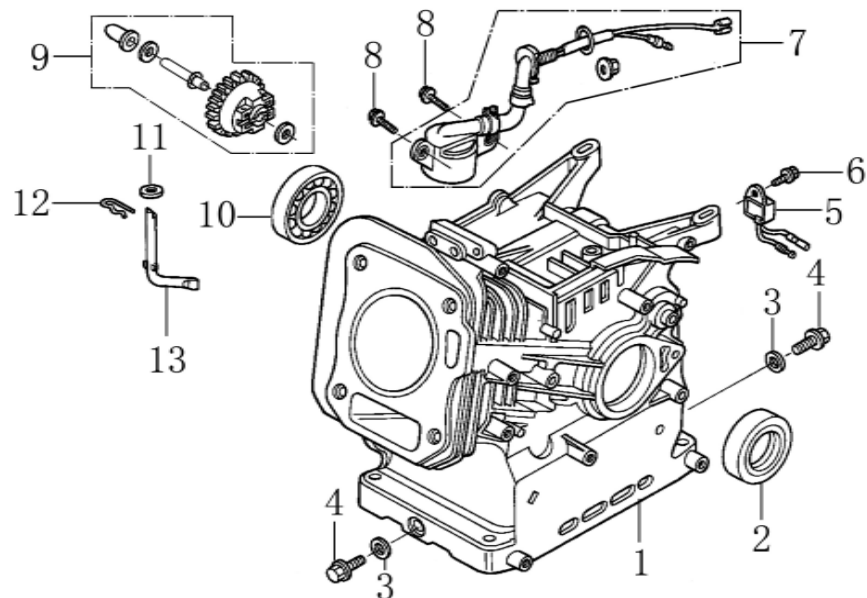
车轮组件(WHEEL KIT ASSY.)





### 气缸头 (CYLINDER HEAD)

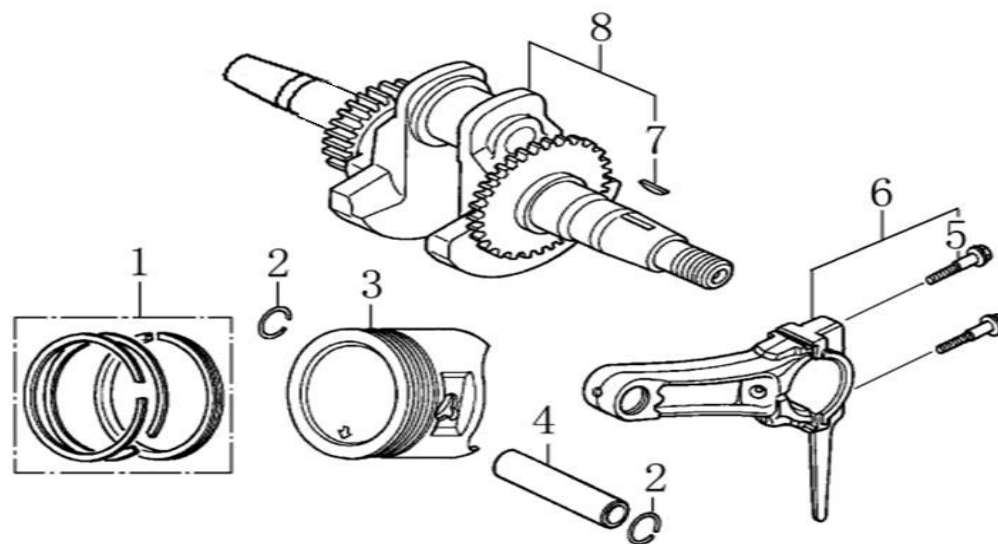
序号 Ser.No	零部件编号 Part No.	零部件名称	Description	数量 (Quantity)		
				1800D(D)C	2500D(D)C	3000D(D)C
1	120080275-T040	气缸头	HEAD COMP., CYLINDER	1(1)	-	-
	120080276-T050	气缸头	HEAD COMP., CYLINDER	-	1(1)	1(1)
2	120220008-T040	气缸头盖组合	COVER COMP., HEAD	1(1)	1(1)	1(1)
3	120250013-T040	气缸头盖密封垫	PACKING, HEAD COVER	1(1)	1(1)	1(1)
4	380740453-T520	通气管	TUBE, BREATHER	1(1)	1(1)	1(1)
5	270960025-T040	火花塞	PLUG, SPARK	1(1)	1(1)	1(1)
6	120150144-T040	气缸头密封垫	GASKET, CYLINDER	1(1)	-	-
	120150070-T050	气缸头密封垫	GASKET, CYLINDER	-	1(1)	1(1)
7	180650065-T05K	排气口密封垫	GASKET, MUFFLER	1(1)	1(1)	1(1)
8	380600117-T040	定位销10×14	PIN, DOWEL 10×14	2(2)	2(2)	2(2)
9	380140215-0003	六角头法兰面螺栓M6×14	BOLT, FLANGE M6×14	4(4)	4(4)	4(4)
10	380140336-T040	六角头法兰面螺栓M8×60	BOLT, FLANGE M8×60	4(4)	4(4)	4(4)
11	380180095-T520	双头螺栓6×96	BOLT, STUD, IN. 6×96	2(2)	2(2)	2(2)
12	380180098-T040	双头螺栓8×34	BOLT, STUD, EX. 8×34	2(2)	2(2)	2(2)



曲轴箱体 (CRANKCASE)

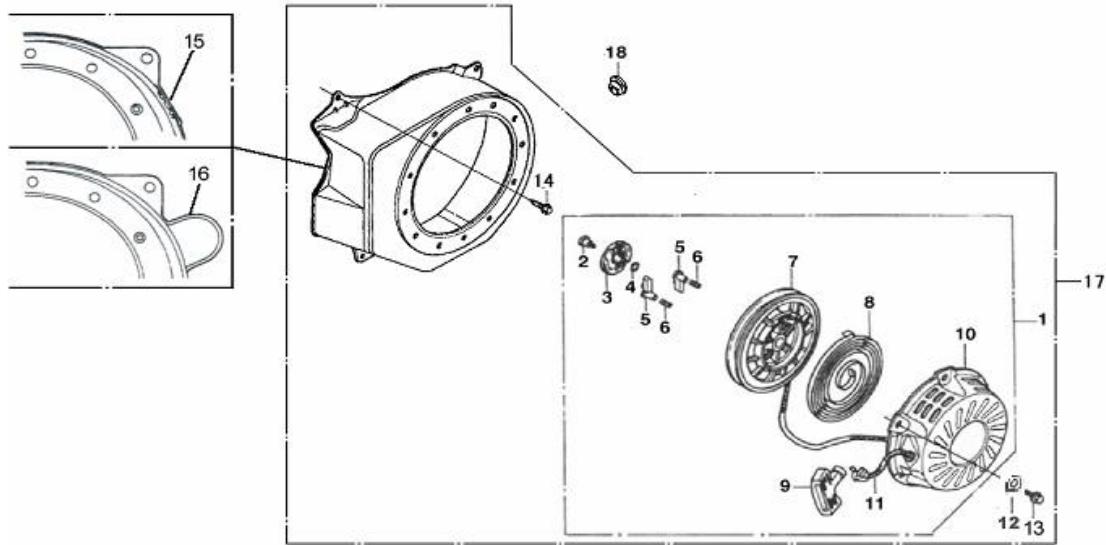
序号 Ser.No	零部件编号 Part No.	零部件名称	Description	数量 (Quantity)		
				1800D(D)C	2500D(D)C	3000D(D)C
1	110810004-T040	曲轴箱体	CRANK CASE	1(1)	-	-
	110810006-T050	曲轴箱体	CRANK CASE	-	1(1)	1(1)
2	380650334-T040	油封25×41.25×6	OIL SEAL 25×41.25×6	1(1)	1(1)	1(1)
3	380450514-T040	平垫圈10×16×1.5	WASHER , DRAIN PLUG10×16×1.5	2(2)	2(2)	2(2)
4	110260025-T040	密封螺塞M10×1.25x15	BOLT , DRAIN PLUG M10×1.25×15	2(2)	2(2)	2(2)
5	281890001-T040	机油保护器	ALART UNIT,OIL	1(1)	1(1)	1(1)
6	380140011-0004	六角头法兰面螺栓M6×10	BOLT , FLANGE M6×10	1(1)	1(1)	1(1)
7	281850150-T040	油位传感器	OIL LEVEL SWITCH	1(1)	1(1)	1(1)
8	380140215-0003	六角头法兰面螺栓M6×14	BOLT , FLANGE M6×14	2(2)	2(2)	2(2)
9	171750001-T040	调速齿轮部件	GEAR CUP ASSY.,GOVERNOR	1(1)	1(1)	1(1)
10	380630137-0002	轴承6205	BEARING 6205	1(1)	1(1)	1(1)
11	380450531-T040	平垫圈6×13×1	WASHER 6×13×1	1(1)	1(1)	1(1)
12	381350004-T040	销夹	PIN , LOCK	1(1)	1(1)	1(1)
13	171630001-T040	调速臂	SHAFT , GOVERNOR ARM	1(1)	1(1)	1(1)





### 曲轴 活塞 (CRANKSHAFT PISTON)

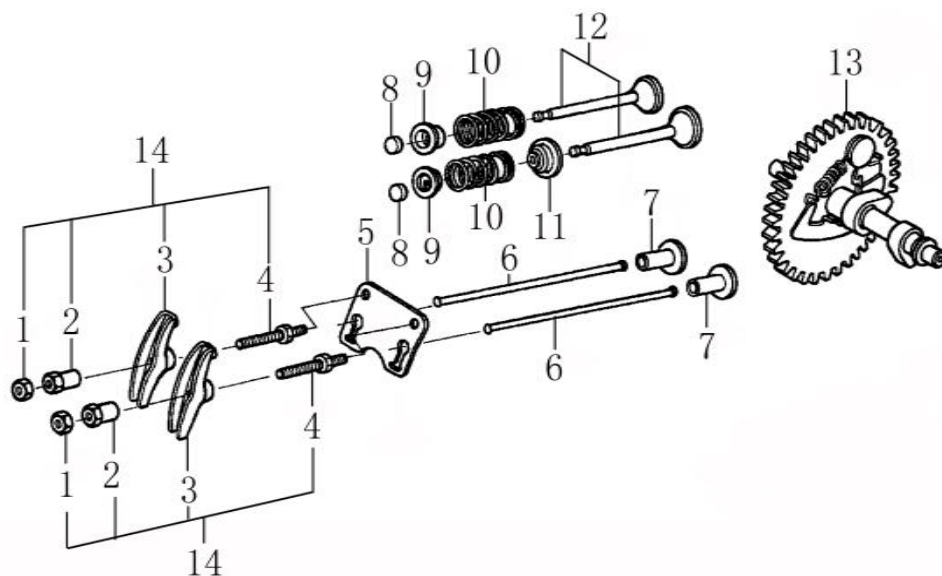
序号 Ser.No	零部件编号 Part No.	零部件名称	Description	数量 (Quantity)		
				LC1800(D)DC	LC2500(D)DC	LC3000(D)DC
1	130070079-T040	活塞环组合	RING SET	1(1)	1(1)	1(1)
2	380560056-T040	钢丝挡圈	CLIP , PISTON PIN	2(2)	2(2)	2(2)
3	130030081-T040	活塞	PISTON	1(1)	-	-
	130030083-T050	活塞	PISTON	-	1(1)	1(1)
4	130060031-T040	活塞销	PIN , PISTON	1(1)	1(1)	1(1)
5	130180001-T040	连杆螺栓	CONNECTING ROD BOLT	2(2)	2(2)	2(2)
6	130150039-T040	连杆	ROD ASSY ., CONNECTING	1(1)	1(1)	1(1)
7	380620050-0001	半圆键	KEY	1(1)	1(1)	1(1)
8	130290030-T040	曲轴	CRANKSHAFT COMP	1(1)	-	-
	130290005-T050	曲轴	CRANKSHAFT COMP	-	1(1)	1(1)



起动机组件 (STARTER SUBASSEMBLY)

序号 Ser.No	零部件编号 Part No.	零部件名称	Description	数量 (Quantity)		
				LC1800(D)DC	LC2500(D)DC	LC3000(D)DC
1	193500008-T040	手起动部件	STARTER ASSY.	1(1)	1(1)	1(1)
2	380020067-T040	六角头轴肩螺栓	SCREW , SETTING	1(1)	1(1)	1(1)
3	193550003-T040	驱动导向板	GUIDE , RATCHET	1(1)	1(1)	1(1)
4	381150342-T040	压簧	SPRING , FRICTION	1(1)	1(1)	1(1)
5	193540003-T040	驱动凸轮	RATCHET , STARTER	2(2)	2(2)	2(2)
6	381160090-T040	扭簧	SPRING , RETURN	2(2)	2(2)	2(2)
7	193520003-T040	拉绳盘	REEL , RECOIL STARTER	1(1)	1(1)	1(1)
8	193340018-T040	起动复位弹簧	SPRING , RECOIL STARTER	1(1)	1(1)	1(1)
9	193560003-T040	拉绳手柄	KNOB , RECOIL STARTER	1(1)	1(1)	1(1)
10	193640002-T040	拉绳盘罩	COVER COMP ., FAN	1(1)	1(1)	1(1)
11	193530004-T040	拉绳	ROPE	1(1)	1(1)	1(1)
12	380450004-0003	平垫圈6	WASHER	3(3)	3(3)	3(3)
13	380140089-0003	六角头法兰面螺栓M6×8	BOLT,FLANGE 6×8	3(3)	3(3)	3(3)
14	380140011-0004	六角头法兰面螺栓M6×10	BOLT,FLANGE 6×10	4(4)	4(4)	4(4)
15	160210005-T040	风扇罩部件	COVER COMP ., FAN	(-1)	(-1)	(-1)

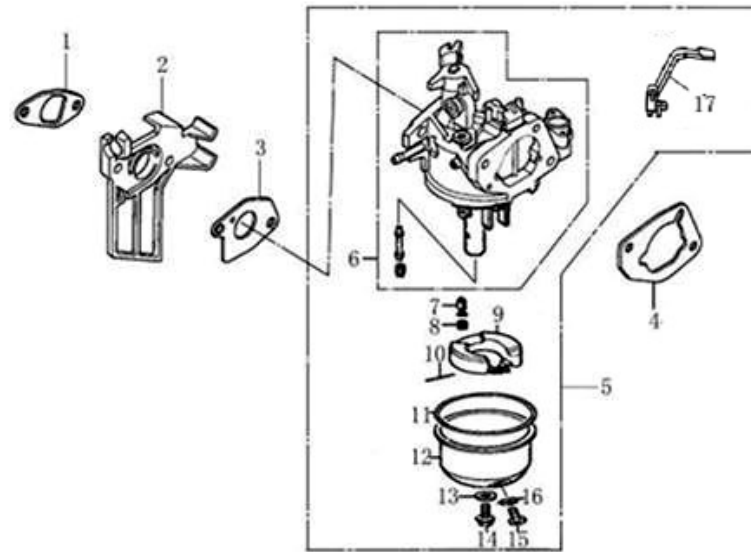




### 配气系统(GAS DISTRIBUTION ADJUSTMENT)

序号 Ser.No.	零部件图号 Part No.	零部件名称	Description	数量(Reqd. QTY.)		
				LC1800(D)DC	LC2500(D)DC	LC3000(D)DC
1	140470001-T040	气门锁紧螺母	NUT , PIVOT ADJUSTING	2(2)	2(2)	2(2)
2	140490012-T040	气门调节螺母	PIVOT , ROCKER ARM	2(2)	2(2)	2(2)
3	140460030-T040	气门摇臂	ROCKER ARM	2(2)	2(2)	2(2)
4	140480012-T040	气门调节螺栓	BOLT , PIVOT , ARM	2(2)	2(2)	2(2)
5	140710001-T040	推杆限位板组合	PLATE ASSY.,	1(1)	1(1)	1(1)
6	140670004-T040	挺杆组合	ROD , PUSH	2(2)	2(2)	2(2)
7	140690002-T040	挺柱	LIFTER , VALVE	2(2)	-	-
	140690003-T050	挺柱	LIFTER , VALVE	-	2(2)	2(2)
8	140320001-T040	气门调整帽	RATOTOR , VALVE	2(2)	2(2)	2(2)
9	140380017-T040	气门弹簧座	RETAINER , VALVE SPRING	2(2)	2(2)	2(2)
10	140340022-T040	气门内弹簧	SPRING , VALVE	2(2)	2(2)	2(2)
11	140400011-T040	挡油罩	SEAL , VALVE STEM	1(1)	1(1)	1(1)
12	500550024-T040	气门套件	VALVE KIT	1(1)	1(1)	1(1)
13	140020038-T040	凸轮轴组合	CAMSHAFT ASSY.	1(1)	-	-
	140020047-T050	凸轮轴组合	CAMSHAFT ASSY.	-	1(1)	1(1)
14	140450022-T040	气门摇臂组合	ROCKER ARM COMP.	2(2)	2(2)	2(2)





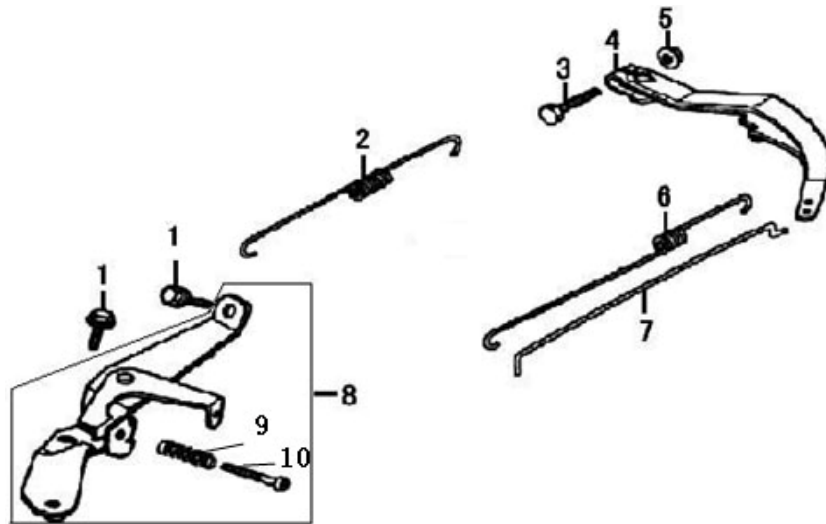
化油器 (CARBURETOR)

序号 Ser.No	零部件编号 Part No.	零部件名称	Description	数量 (Quantity)		
				LC1800(D)DC	LC2500(D)DC	LC3000(D)DC
1	170430060-T05K	化油器密封垫	PACKING , INSULATOR	1(1)	1(1)	1(1)
2	170440038-T040	化油器隔热垫	INSULATOR , CARBURETOR	1(1)	1(1)	1(1)
3	170430048-T05K	化油器密封垫	PACKING ., CARBURETOR	1(1)	1(1)	1(1)
4	170430065-T040	化油器密封垫	GASKET, AIR CLEANER	1(1)	1(1)	1(1)
5	170020425-T520	化油器	CARBURETOR	1(1)	1(1)	1(1)
6	170160039-T520	化油器主体	CARBURETOR'S NOUMENON	1(1)	1(1)	1(1)
7	170180050-T040	针阀	VALVE , FLOAT	1(1)	1(1)	1(1)
8	381150336-T040	压簧	SPRING , VALVE SET	1(1)	1(1)	1(1)
9	170280019-T040	浮子	FLOAT	1(1)	1(1)	1(1)
10	170290017-T040	浮子销	PIN , FLOAT	1(1)	1(1)	1(1)
11	380840455-T040	密封圈	GASKET , OIL CUP	1(1)	1(1)	1(1)
12	170250021-T040	浮子室	OIL CUP	1(1)	1(1)	1(1)
13	380450539-T040	平垫圈	GASKET , OIL CUP BOLT	1(1)	1(1)	1(1)
14	380140353-T040	六角头法兰面螺栓	BOLT , OIL CUP	1(1)	1(1)	1(1)



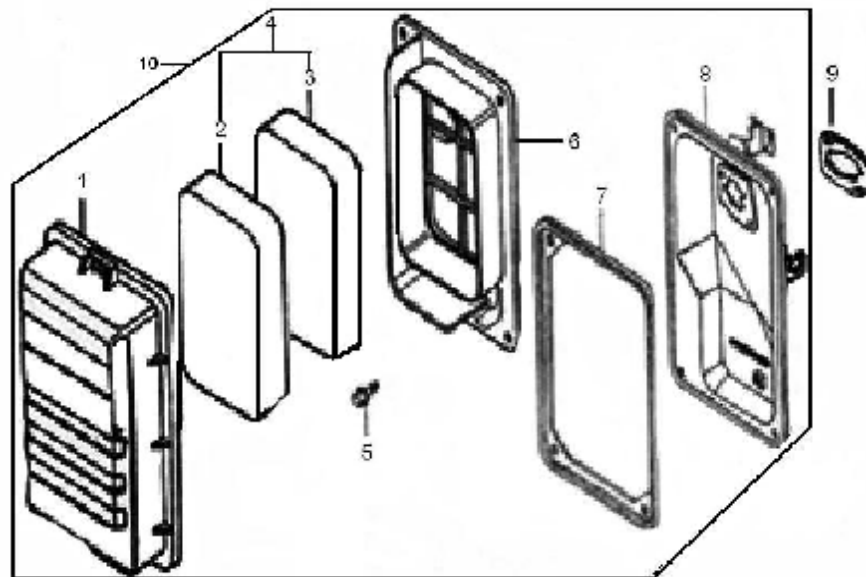






调速控制系统(CONTROL SYSTEM)

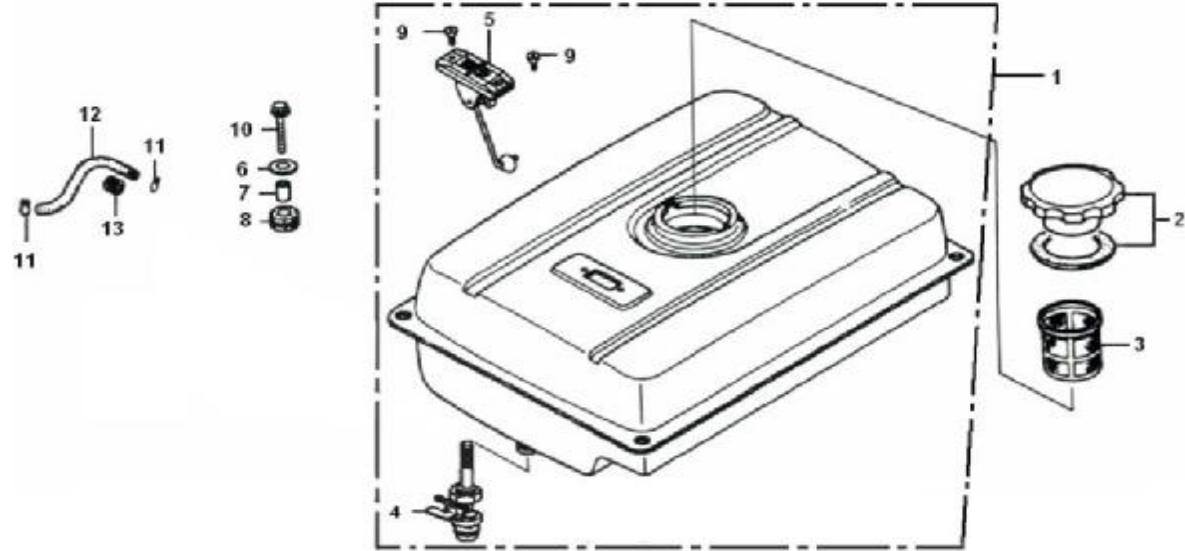
序号 Ser.No	零部件编号 Part No.	零部件名称	Description	数量 (Quantity)		
				LC1800D(D)C	LC2500D(D)C	LC3000D(D)C
1	380140011-0004	法兰面螺栓M6×10	BOLT, FLANGE, 6×10	2(2)	2(2)	2(2)
2	171600003-T520	调速弹簧	SPRING, GOVERNOR	1(1)	1(1)	1(1)
3	380250002-T040	方头平端紧定螺钉	BOLT, QUADRATE HEAD	1(1)	1(1)	1(1)
4	171620001-T040	调速支架	ARM, GOVERNOR	1(1)	1(1)	1(1)
5	380370048-0001	法兰面螺母M6	NUT, FLANGE	1(1)	1(1)	1(1)
6	171610006-T040	节气门复位弹簧	SPRING, THROTTLE RETURN	1(1)	1(1)	1(1)
7	171590004-T040	油门拉杆	ROD, GOVERNOR	1(1)	1(1)	1(1)
8	171680004-T520	油门操纵手柄组合	RETAINER, CONTROL ASSY.	1(1)	1(1)	1(1)
9	171660001-T040	调速限位簧	SPRING	1(1)	1(1)	1(1)
10	380200017-0005	十字盘头螺钉M5×35	SCREW , 5×35	1(1)	1(1)	1(1)



### 空气滤清器 (AIR CLEANER)

序号 Ser.No	零部件编号 Part No.	零部件名称	Description	数量 (Quantity)		
				LC1800(D)DC	LC2500(D)DC	LC3000(D)DC
1	180070082-T520	空滤器壳体盖	COVER, AIR CLEANER	1	1	1
2	180130116-T520	空滤器滤芯	FILTER, OUTER	1	1	1
3	180130117-T520	空滤器滤芯	FILTER, INNER	1	1	1
4	180100033-T520	空滤器滤芯组合	FILTER ASSY.	1	1	1
5	380020121-0001	六角头轴肩螺栓	HEXAGON SHOULDER BOLT	4	4	4
6	180330017-T520	滤芯支撑板体	SEPARATOR, AIR CLEANER	1	1	1
7	380840430-T520	密封圈	PACKING, ELBOW	1	1	1
8	180280005-T520	空滤器座	COLLAR, AIR CLEANER	1	1	1
9	170430065-T040	化油器密封垫	PACKING, AIR CLEANER	1	1	1
10	180020316-T520	空滤器	AIR CLEANER	1	1	1

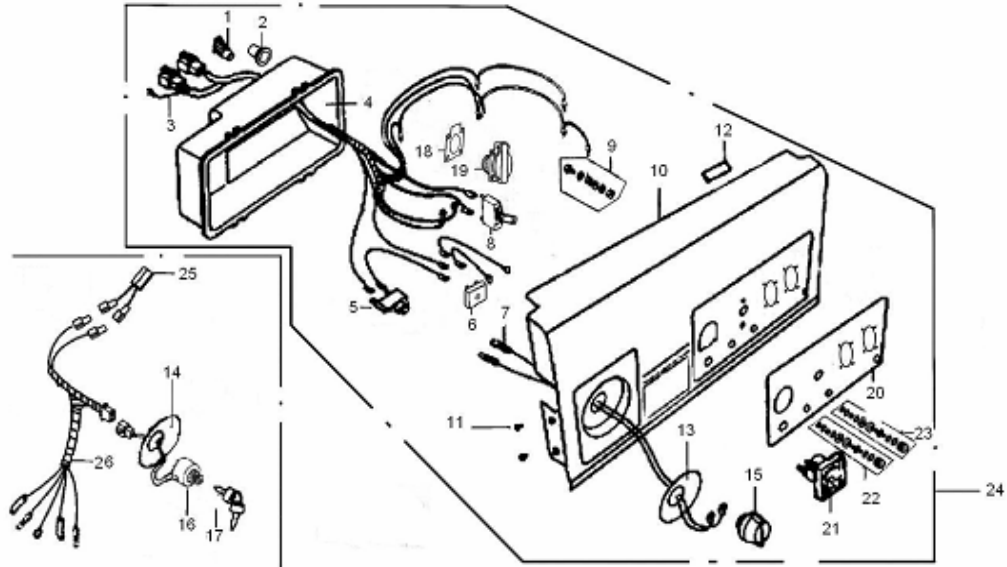




### 燃油箱(FUEL TANK)

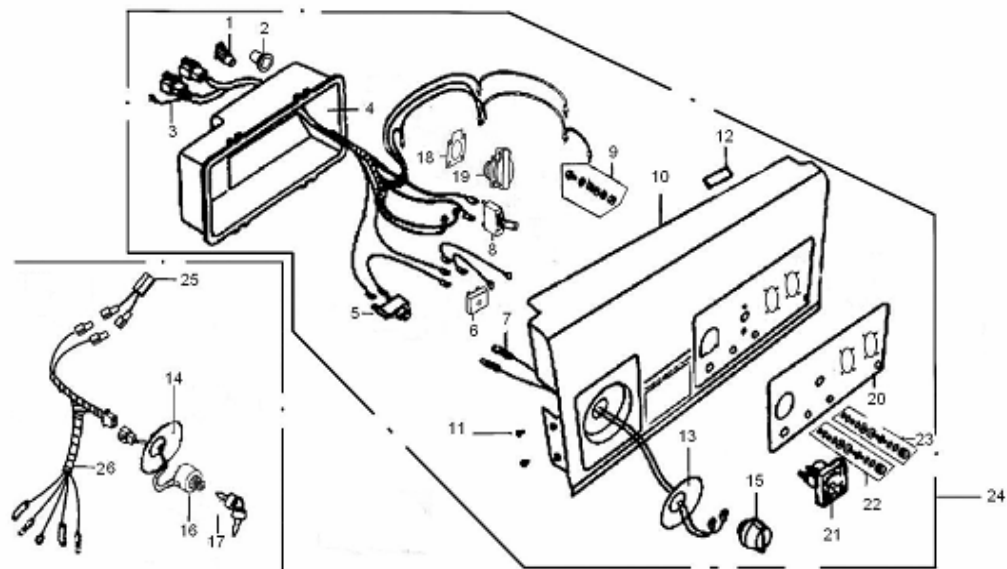
序号 Ser.No	零部件编号 Part No.	零部件名称	Description	数量 (Quantity)		
				LC1800(D)DC	LC2500(D)DC	LC3000(D)DC
1	170490108-T520	油箱部件	TANK COMP., FUEL	1(1)	1(1)	1(1)
2	170870044-T520	油箱盖	CAP COMP.,FUEL FILLER	1(1)	1(1)	1(1)
3	170720005-T560	燃油滤网	FILTER, FUEL TANK	2(2)	2(2)	2(2)
4	170980057-T520	油开关	COCK COMP., FUEL	1(1)	1(1)	1(1)
5	170740009-T520	油标部件	METER COMP., FUEL	1(1)	1(1)	1(1)
6	380450444-0002	平垫 $\phi 6 \times \phi 25 \times 2$	WASHER $\phi 6 \times \phi 25 \times 2$	4(4)	4(4)	4(4)
7	170710014-T520	油箱衬管	COLLAR, TANK CUSHION	4(4)	4(4)	4(4)
8	170700050-T520	油箱减震胶套	RUBBER, FUEL CUSHION	4(4)	4(4)	4(4)
9	380220044-0002	十字槽沉头螺钉M5×12	SCREW, FLAT, 5×12	2(2)	2(2)	2(2)
10	380140103-0004	六角法兰面螺栓M6×25	BOLT, FLANGE, 6×25	4(4)	4(4)	4(4)
11	380950188-0001	管夹	CLIP, TUBE	4(4)	4(4)	4(4)
12	380750179-0001	油管4×8×125	TUBE, FUEL	1(1)	1(1)	1(1)
13	380770188-T560	保护套管	RUBBER, FUEL TUBE	1(1)	1(1)	1(1)





控制面板 (CONTROL PANEL)

序号 Ser.No	零部件编号 Part No.	零部件名称	Description	数量 (Quantity)		
				LC1800(D)DC	LC2500(D)DC	LC3000(D)DC
1	380930033-T520	定位线卡	CROMMET,A.C. CORD	1(1)	1(1)	1(1)
2	380930034-T520	定位线卡	CROMMET,MAIN CORD	1(1)	1(1)	1(1)
3	272040025-T524	控制面板线束	HARNESS ASSY.,WIRE	1(1)	1(1)	1(1)
4	271950005-T523	面板后罩壳	CASE,CONTROL PANEL	1(1)	1(1)	1(1)
5	271290033-T520	过流保护器	PROTECTOR,CIRCUIT(10A)	1(1)	1(1)	1(1)
6	271920001-T566	整流桥	RECTIFIER BRIDGE	1(1)	1(1)	1(1)
7	271280012-T521	开关接线	SUB HARNESS	1(-)	1(-)	1(-)
8	271290005-T510	过流保护器	PROTECTOR(7A)	1(1)	-	-
	271290007-T520	过流保护器	PROTECTOR(10A)	-	1(1)	-
	271290008-T530	过流保护器	PROTECTOR(11A)	-	-	1(1)
9	272030001-T525	接地端子组合	TERMINAL SET,EARTH	1(1)	1(1)	1(1)
10	271860001-T523	控制面板	CONTROL PANEL	1(-)	1(-)	1(-)
	271860012-T524	控制面板	CONTROL PANEL	-(-)	-(-)	-(-)
11	380140067-0003	六角头法兰面螺栓	BOLT,HEX.,6X12mm	4(4)	4(4)	4(4)
12	380920088-T523	橡胶平垫	RUBBER,TANK CUSHION	2(2)	2(2)	2(2)

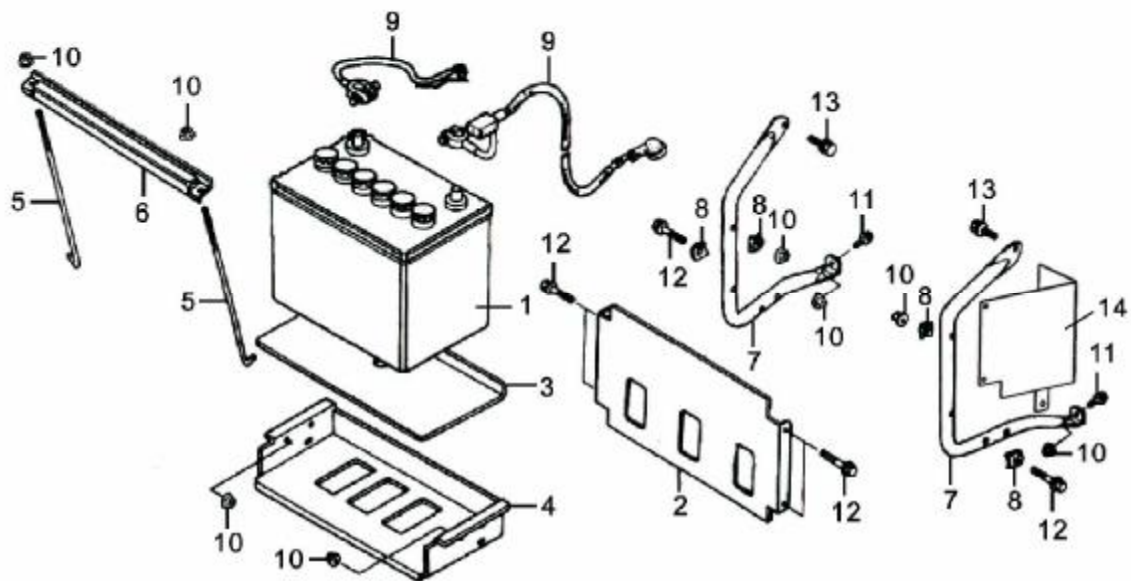


控制面板 (CONTROL PANEL)

序号 Ser.No	零部件编号 Part No.	零部件名称	Description	数量 (Quantity)		
				LC1800(D)DC	LC2500(D)DC	LC3000(D)DC
13	370320566-T530	提醒标贴	MARK,ENGINE SWITCH	1(-)	1(-)	1(-)
14	370320560-T524	提醒标贴	MARK,ENGINE SWITCH	-(-)	-(-)	-(-)
15	271810001-T523	启动控制开关	SWITCH ASSY.COMBITION	1(-)	1(-)	1(-)
16	271810008-T524	启动控制开关	SWITCH ASSY.COMBITION	-(-)	-(-)	-(-)
17	271340040-T520	点火开关钥匙	KEY	-(-)	-(-)	-(-)
18	271900001-T520	插座胶垫	SOCKET-WASHER	2(2)	2(2)	2(2)
19	271890001-T560	电源插座组合	SOCKET	2(2)	2(2)	2(2)
20	370360072-T512	参数标贴	MARK,PARAMETER	1(1)	-	-
	370360086-T523	参数标贴	MARK,PARAMETER	-	1(1)	-
	370360121-T530	参数标贴	MARK,PARAMETER	-	-	1(1)
21	281910009-T520	电压表	VOLTMETER	1(1)	1(1)	1(1)
22	272080001-T523	正极接线柱组合	POST , ARODE	1(1)	1(1)	1(1)
23	272090001-T523	负极接线柱组合	POST , CATHODE	1(1)	1(1)	1(1)
24	271850008-T512	控制面板部件	CONTROL PANEL ASSY.	1(-)	-	-
	271850014-T513	控制面板部件	CONTROL PANEL ASSY.	-(-)	-	-

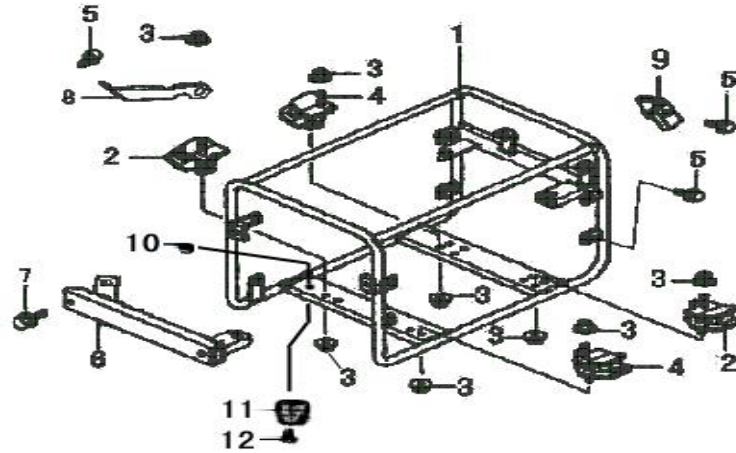






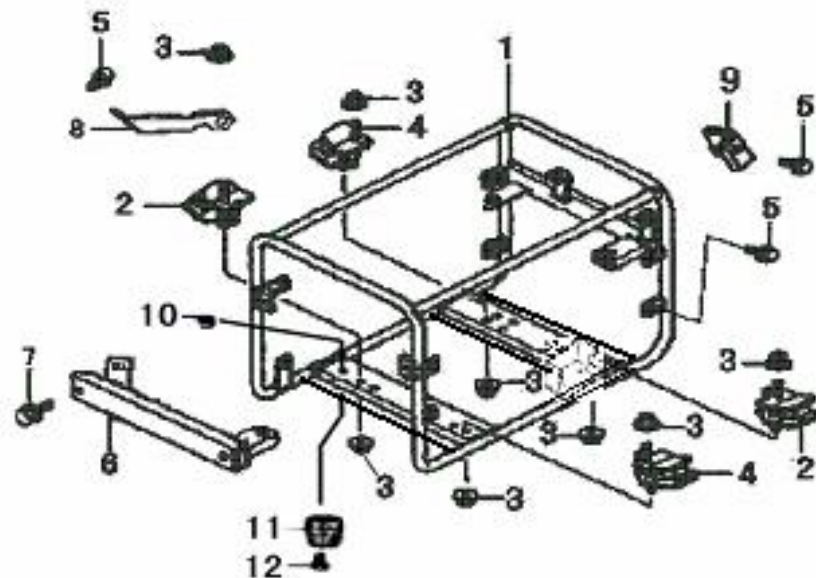
外置电起动附件(BATTERY TRAY)

序号 Ser.No	零部件编号 Part No.	零部件名称	Description	数量 (Quantity)		
				LC1800(D)DC	LC2500(D)DC	LC3000(D)DC
1	271060147-T561	蓄电池	BATTERY ASSY.	-(1)	-(1)	-(1)
2	271200003--T521	蓄电池护板	PLATE,BATTERY GUARD	-(1)	-(1)	-(1)
3	271100001-T521	蓄电池底座	PLATE,BATTERY	-(1)	-(1)	-(1)
4	271190003-T521	蓄电池托架	BASE,BATTERY TRAY	-(1)	-(1)	-(1)
5	271210001-T521	蓄电池压架连接杆	BOLT,BATTERY SETTING	-(2)	-(2)	-(2)
6	271170003-T521	蓄电池压架	PLATE,BATTERY SETTING	-(1)	-(1)	-(1)
7	271180002-T521	蓄电池边框架	GUARD,BATTERY	-(1)	-(1)	-(1)
8	380480017-T521	碟形垫圈	WASHER,FRAME JOINT	-(8)	-(8)	-(8)
9	271270007-T561	正极导线	CABLE ASSY.,EARTH	-(1)	-(1)	-(1)
10	380370048-0001	六角法兰面螺母	NUT, FLANGE	-(12)	-(12)	-(12)
11	380140067-0003	六头角法兰面螺栓	BOLT, FLANGE	-(2)	-(2)	-(2)
12	380140095-0005	六头角法兰面螺栓	BOLT, FLANGE	-(8)	-(8)	-(8)
13	380140040-0005	六头角法兰面螺栓	BOLT, FLANGE	-(2)	-(2)	-(2)
14	271200005-T521	蓄电池侧护板	PLATE,BATTERY SIDE GUARD	-(1)	-(1)	-(1)



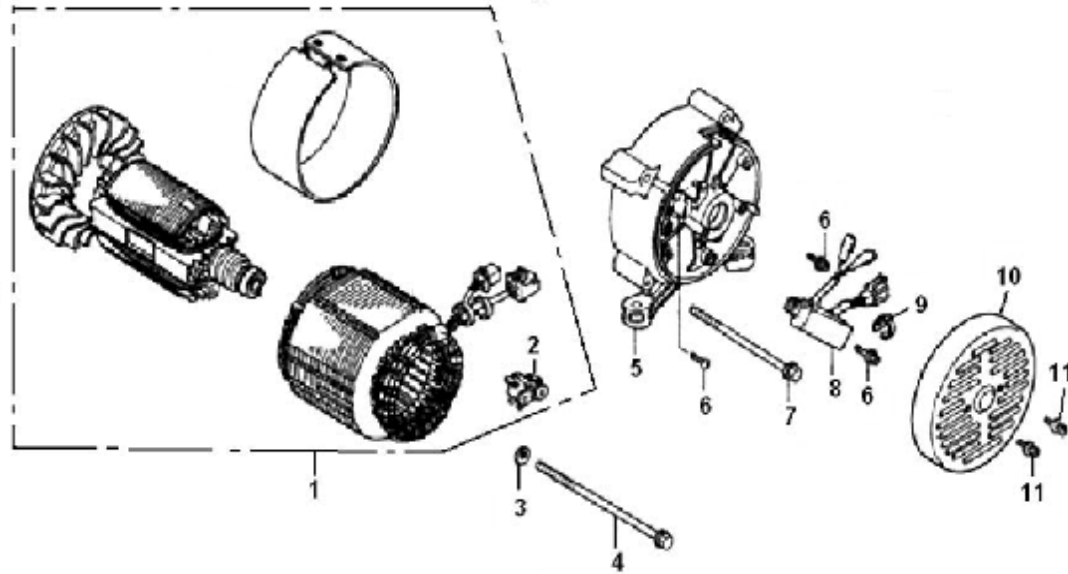
机架总成(FRAME)

序号	零部件编号	零部件名称	Description	数量 (Quantity)		
				LC1800(D)DC	LC2500(D)DC	LC3000(D)DC
Ser.No	Part No.					
1	300720016-T524	机架部件	FRAME COMP	1(1)	1(1)	-
	300720026-T531	机架部件	FRAME COMP	-	-	1(1)
2	300790001-T520	主机缓冲座2	RUBBER, RIGHT BOTTOM	2(2)	2(2)	2(2)
3	380370007-0004	螺母M8	NUT, FLANGE	8(8)	8(8)	8(8)
4	300780001-T520	主机缓冲座	RUBBER, LEFT BOTTOM	2(2)	2(2)	2(2)
5	380140001-0006	螺栓M6×12	BOLT, FLANGE M6×12	6(6)	6(6)	6(6)
6	300730002-T529	横挡	FRAME COMP., SIDE	1(1)	1(1)	1(1)
7	380140040-0005	螺栓M8×16	BOLT, FLANGE, 8×16	2(2)	2(2)	2(2)
8	300710057-T520	空滤器支架	STAY, AIR CLEANER	1(1)	1(1)	1(1)
9	660030001-T520	电机挡块	PLATE, GUARD	1(1)	1(1)	1(1)
10	380370048-0001	螺母M6	NUT, M6	4(4)	4(4)	4(4)
11	300770005-T810	机架减震座	RUBBER , SHOCK ABSORBER	4(4)	4(4)	4(4)
12	380140215-0003	螺栓M6×14	BOLT , 6×14	4(4)	4(4)	4(4)



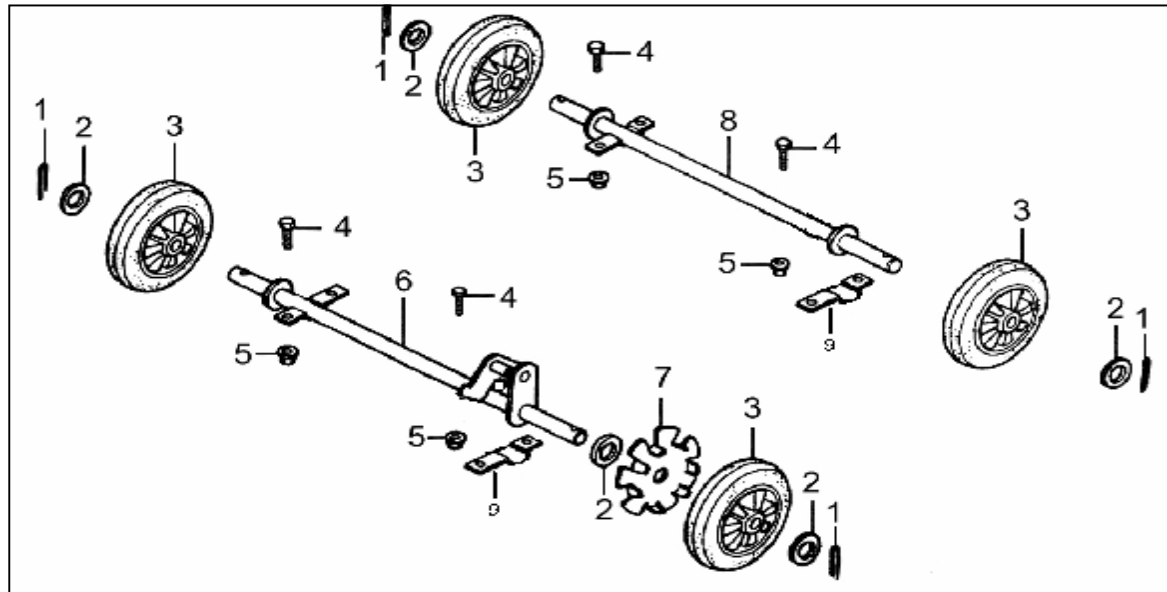
内置式机架总成(FRAME)

序号 Ser.No	零部件编号 Part No.	零部件名称	Description	数量 (Quantity)		
				LC1800(D)DC	LC2500(D)DC	LC3000(D)DC
1	300720018-T524	机架部件	FRAME COMP	-	-(1)	-
	300720027-T531	机架部件	FRAME COMP	-	-	-(1)
2	300790001-T520	主机缓冲座2	RUBBER, RIGHT BOTTOM	2(2)	2(2)	2(2)
3	380370007-0004	螺母M8	NUT, FLANGE	8(8)	8(8)	8(8)
4	300780001-T520	主机缓冲座	RUBBER, LEFT BOTTOM	2(2)	2(2)	2(2)
5	380140001-0006	螺栓M6×12	BOLT, FLANGE	6(6)	6(6)	6(6)
6	300730002-T529	横挡	FRAME COMP., SIDE	1(1)	1(1)	1(1)
7	380140040-0005	螺栓M8×16	BOLT, FLANGE, 8×16	2(2)	2(2)	2(2)
8	300710057-T520	空滤器支架	STAY, AIR CLEANER	1(1)	1(1)	1(1)
9	660030001-T520	电机挡块	PLATE, GUARD	1(1)	1(1)	1(1)
10	380370048-0001	螺母M6	NUT, M6	4(4)	4(4)	4(4)
11	300770005-T810	机架减震座	RUBBER, SHOCK ABSORBER	4(4)	4(4)	4(4)
12	380140215-0003	螺栓M6×14	BOLT, 6×14	4(4)	4(4)	4(4)



### 电机总成(ROTOR.STATOR)

序号 Ser.No	零部件编号 Part No.	零部件名称	Description	数量 (Quantity)		
				LC1800(D)DC	LC2500(D)DC	LC3000(D)DC
1	660080190-T512	电机部件	ALTERNATOR PARTS	1(1)	-	-
	660080195-T523	电机部件	ALTERNATOR PARTS	-	1(1)	-
	660080196-T530	电机部件	ALTERNATOR PARTS	-	-	1(1)
2	660120002-T520	碳刷	BRUSH ASSY	1(1)	1(1)	1(1)
3	380450524-T520	平垫圈	WASHER,PLAIN	1(1)	1(1)	1(1)
4	380070181-T510	六角头螺栓	BOLT , HEX	1(1)	-	-
	380070182-T520	六角头螺栓	BOLT , HEX	-	1(1)	-
	380070183-T530	六角头螺栓	BOLT , HEX	-	-	1(1)
5	660010001-T520	电机后支撑	HOUSING,RR	1(1)	1(1)	1(1)
6	380140053-0002	六角头法兰面螺栓	BOLT,FLANGE	3(3)	3(3)	3(3)
7	380140344-T510	六角头法兰面螺栓	BOLT,FLANGE	4(4)	-	-
	380140345-T520	六角头法兰面螺栓	BOLT,FLANGE	-	4(4)	-
	380140346-T530	六角头法兰面螺栓	BOLT,FLANGE	-	-	4(4)
8	660150109-T512	调压器	REGULATOR ASSY., VOLTAGE	1(1)	1(1)	1(1)
9	380900062-T561	箍带	TIE,CABLE	1(1)	1(1)	1(1)
10	660020001-T520	电机后端盖	COVER,GENERATOR	1(1)	1(1)	1(1)
11	380140167-0002	六角头法兰面螺栓	BOLT,FLANGE	4(4)	4(4)	4(4)



车轮组件(WHEEL KIT ASSY.)

序号 Ser.No	零部件编号 Part No.	零部件名称	Description	数量 (Quantity)		
				LC1800(D)DC	LC2500(D)DC	LC3000(D)DC
1	380590052-0001	开口销 4.0×28	PIN, SPLIT, 4.0×28	4(4)	4(4)	4(4)
2	380450644-0001	垫圈 20	WASHER, PLAIN, 20MM	5(5)	5(5)	5(5)
3	660690006-T560	车轮	WHEEL COMP.	4(4)	4(4)	4(4)
4	380140040-0004	螺栓 M8×16	BOLT, HEX. 8×16	8(8)	8(8)	8(8)
5	380370007-0005	螺母 M8	NUT, FLANGE, 8MM	8(8)	8(8)	8(8)
6	660730017-T523	左轮轴	SHAFT COMP.,LEFT WHEEL	1(1)	1(1)	1(1)
7	660760001-T560	锁盘	PLATE, LOCK	1(1)	1(1)	1(1)
8	660730014-T523	右轮轴	SHAFT COMP.,RIGHT WHEEL	1(1)	1(1)	1(1)
9	660750001-T56C	前轮轴压板	PLATE,SHAFT HOLDER	2(2)	2(2)	2(2)
10	660680003-T523	机组支撑轮组件	WHEEL KIT	1(1)	1(1)	1(1)



隆鑫通用动力股份有限公司

Loncin motor co., Ltd.

详细地址：重庆市九龙坡区九龙工业园区华龙大道99号

Add:No.99Hualong Road, Jiulongpo District, Chongqing, China

Tel:86 23 8980 5678/86 23 8980 8505

Fax:86 23 8906 7566

Email:service@loncinengine.com

Website:www.loncinengine.com

**PRINTED IN CHINA**