



发电机机组零部件图册

PART CATALOGUE

LC12000



版本号VERSION No.: 2011-01

零件目录使用说明(Instruction for use of parts catalogue)

本零件目录是根据2011年1月所能得到的最新资料编制而成的。

This parts catalogue was prepared based on the latest information available as of April 2011.

请注意2011年1月以后本零部件目录的修订通知。

See the parts catalogue news for any revision that is made after April 2011.

当订购零件时，一定要明确指出其零件编号。

Always specify the part number when ordering a part.

注意本零件目录所给出的图形可能与实际零件外形有所不同。

Note that the illustrations can differ from the actual parts in shape.

当需要对零部件目录的内容进行更改或增加时，本公司将在适当的时间出版修订版，为保证在任何时候都可以使用到最新版本的零部件目录建议拥有最新的修订版本。如果要检查修订版本是否已经发行，请直接与LONCIN联系。

When modifications or additions to this parts catalogue are made , a revised edition will be issued at an appropriate time,

We recommend obtaining such revisions in order to keep your parts catalogue up-to-date at all times. To check whether a parts catalogue revision has been issued, please contact your LONCIN distributor.

缩写词

ASSY. …… 总成 COMP. …… 组合 R. …… 右 L. …… 左 A. C. …… 交流电 D. C. …… 直流电
IN. …… 进气 EX. …… 排气 FR. …… 前部 RR. …… 后部 HEX. …… 六角

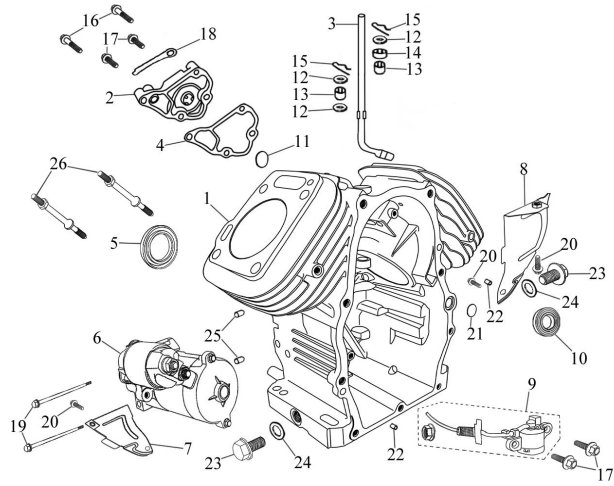
Abbreviations

ASSY. …… Assembly COMP. …… Complete R. …… Right L. …… Left A. C. …… Alternating current
D. C. …… Direct current IN. …… Inlet EX. …… Exhaust FR. …… Front RR. …… Rear HEX. …… Hexagonal

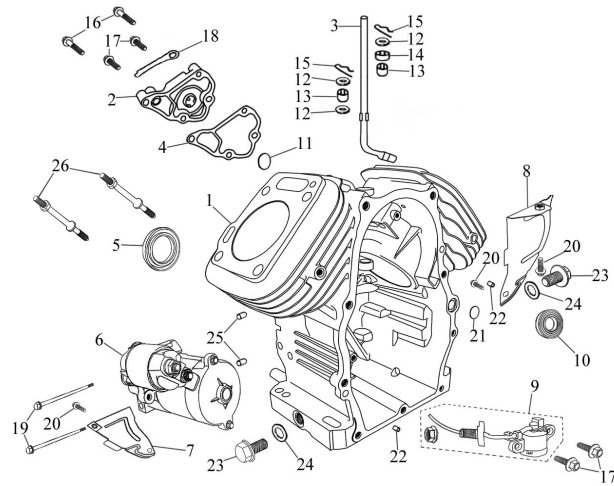
“零件数量 (Quantity)” 栏中数字表示该方框所述部分的数量。“-”表示数量为0。

The number given in the “Quantity.” column indicates the quantity of parts used in the section described in that block.

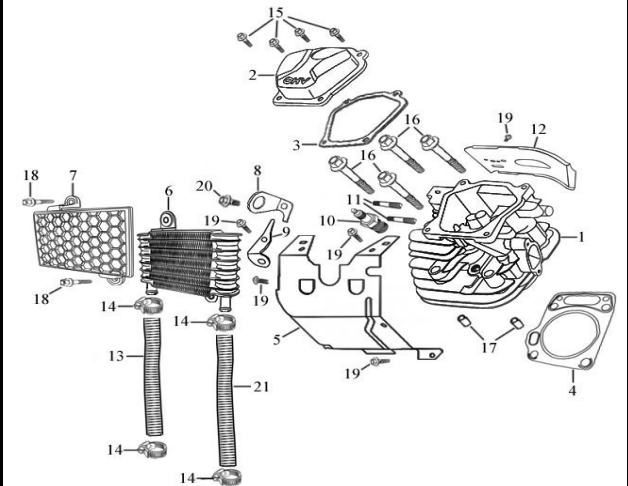
曲轴箱(CRANK CASE) (机组)



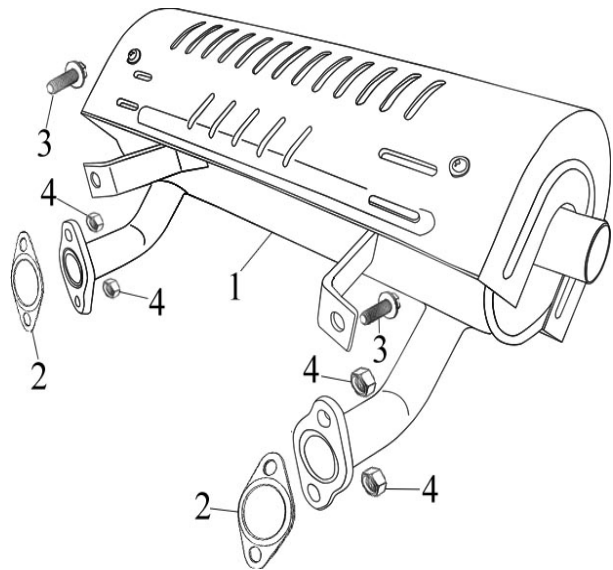
曲轴箱(CRANK CASE) (单机)



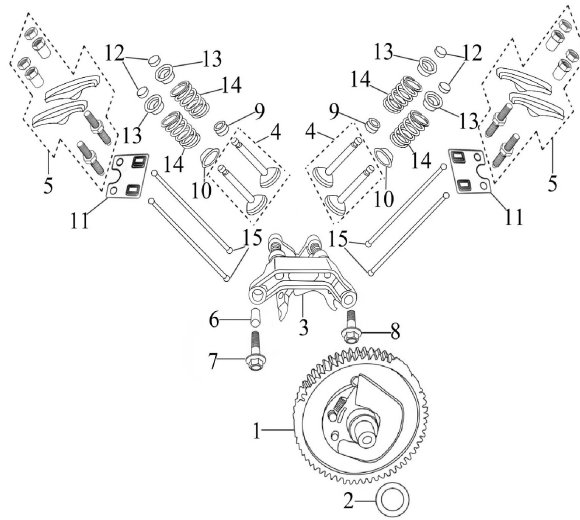
气缸头I总成 (CYLINDER HEAD ASSY)



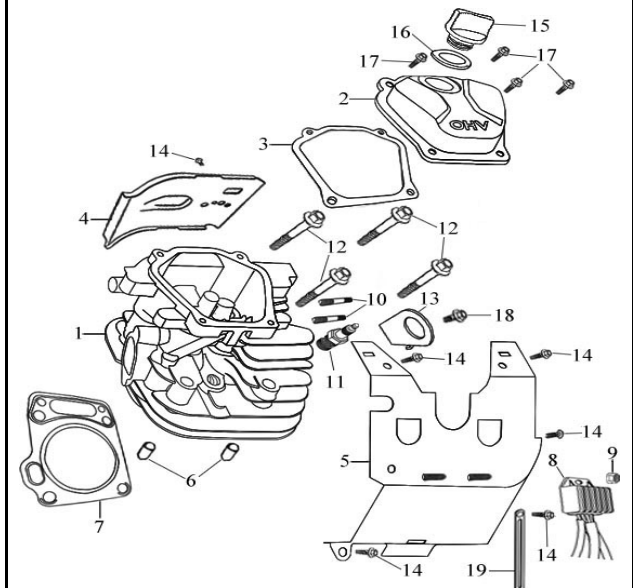
消声器总成 (MUFFLER ASSY)



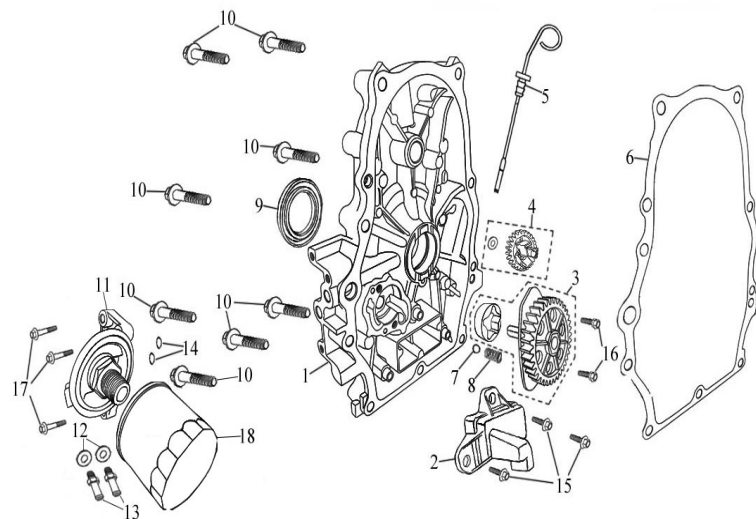
凸轮轴、气门摇臂组合 (CAMSHAFT ASSY)



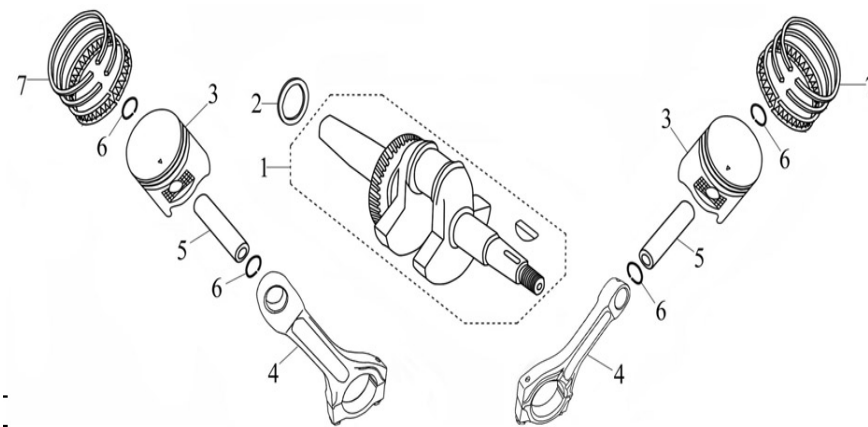
气缸头II总成 (CYLINDER HEAD ASSY)



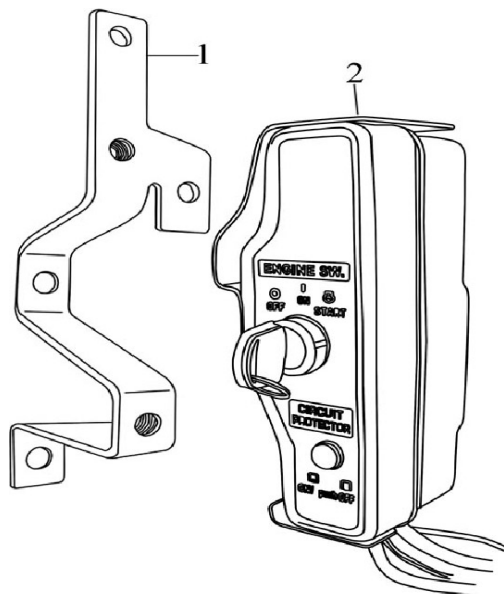
曲轴箱盖 (CRANKCASE COVER)



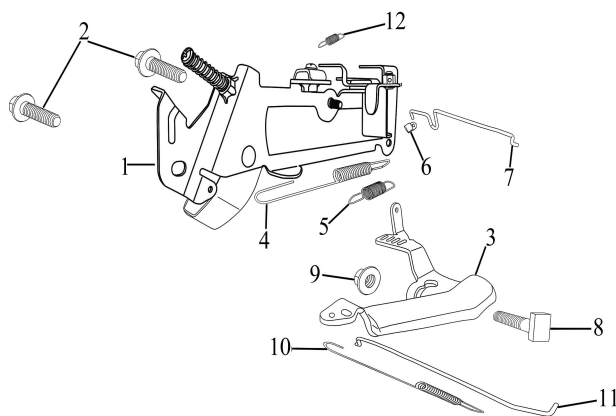
曲轴、连杆 (CRANKSHAFT、CONNECTING ROD) (机组)



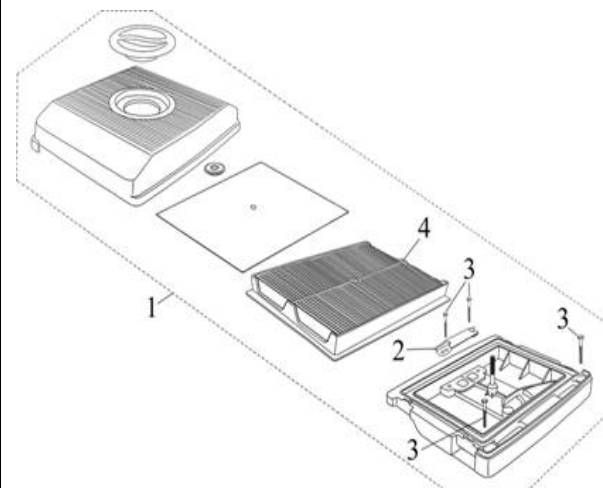
启动控制盒组合 (STARTING CONTROL)



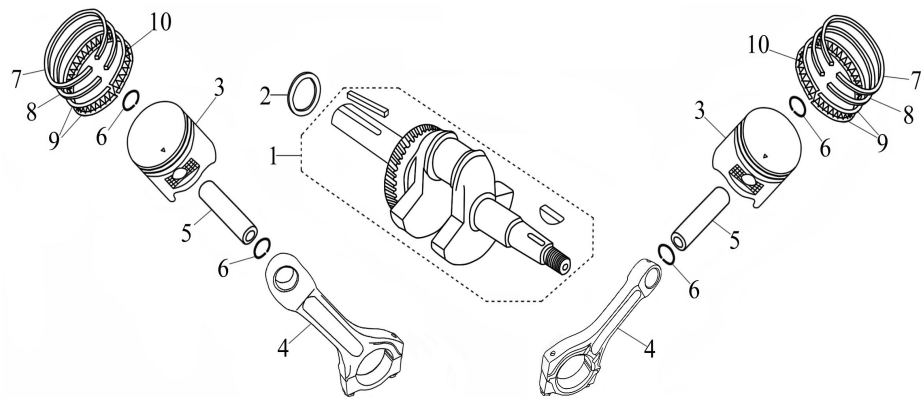
调速控制组件 (REGULATING BOARD) (机组)



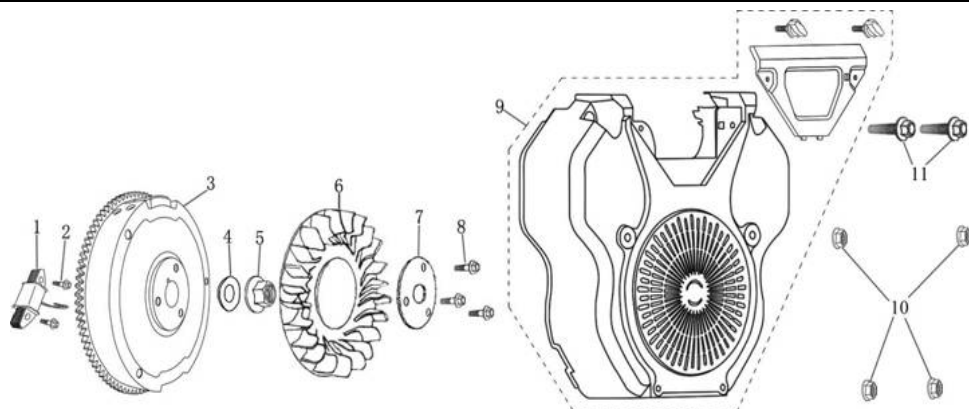
空气滤清器 (AIR CLEANER)



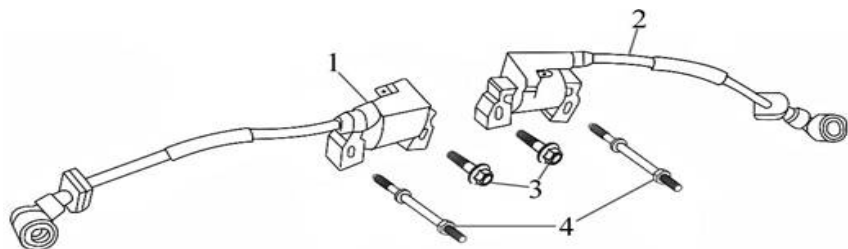
曲轴、连杆 (CRANKSHAFT、CONNECTING ROD) (单机)



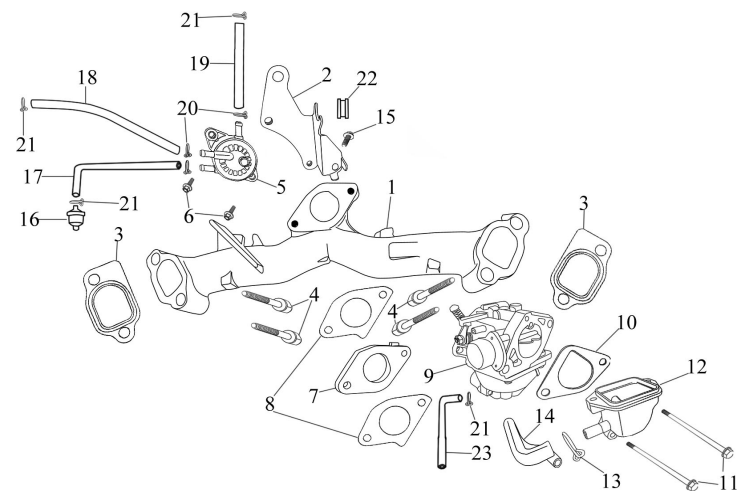
磁电机转子、风扇罩 (FLYWHEEL)



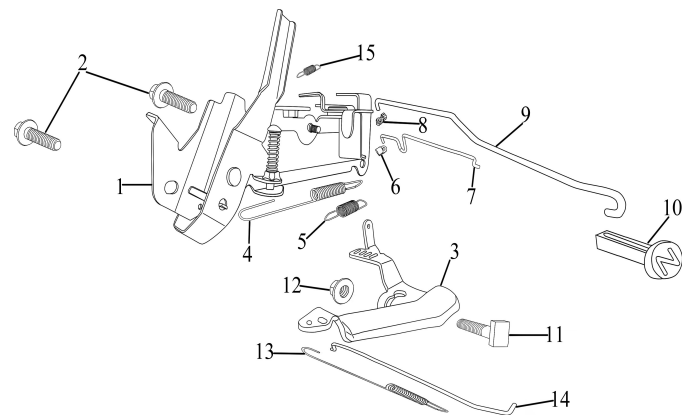
点火线圈 (IGNITION COIL ASSY)



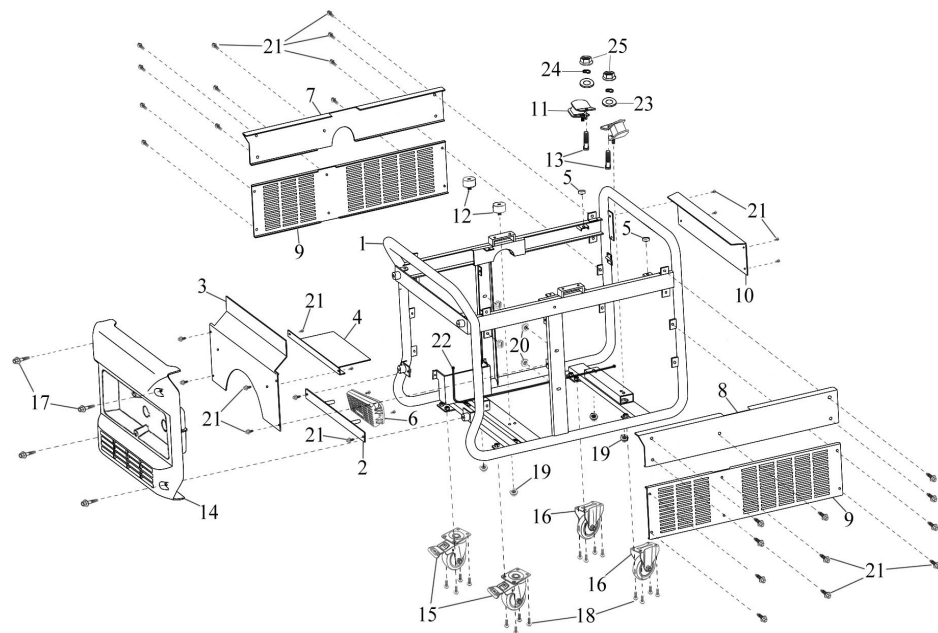
化油器总成 (CARBURETOR ASSY)



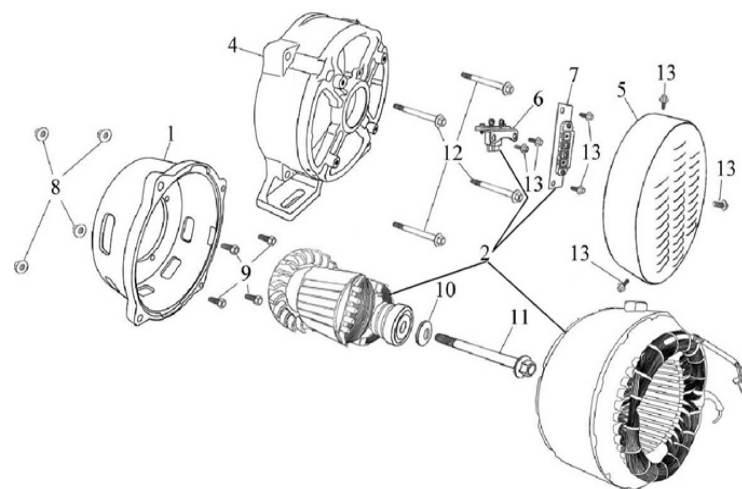
调速控制组件 (REGULATING BOARD) (单机)



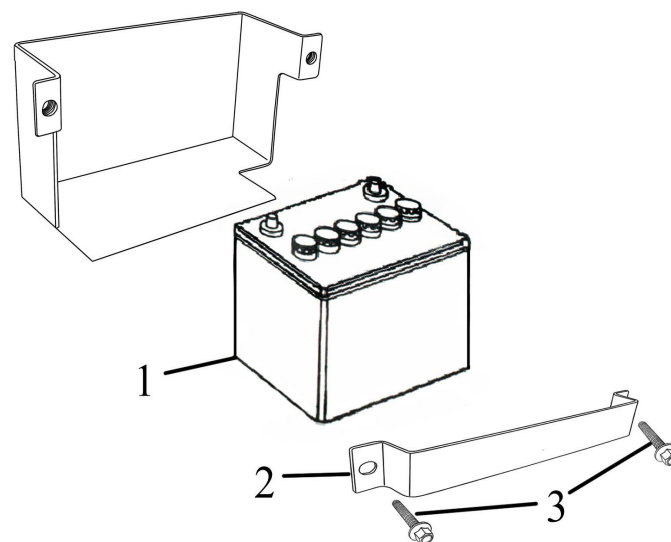
机架 (Frame Comp)



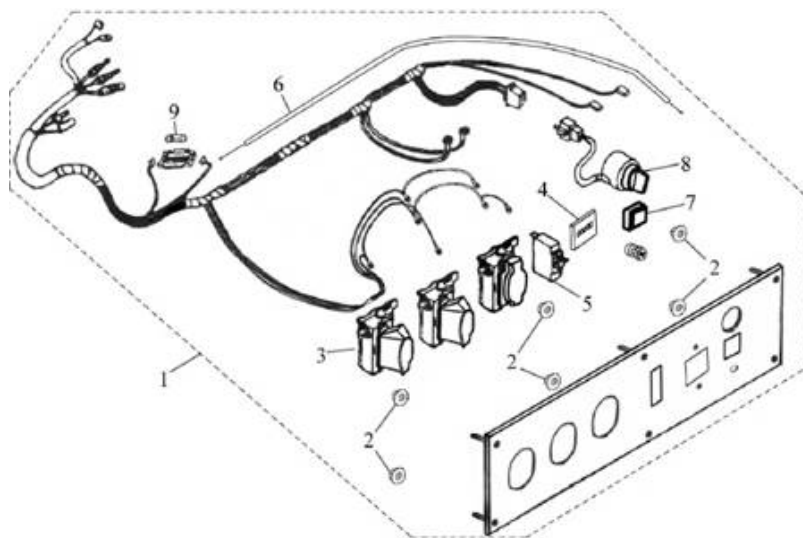
电机定子、转子 (Stator、Rotor)



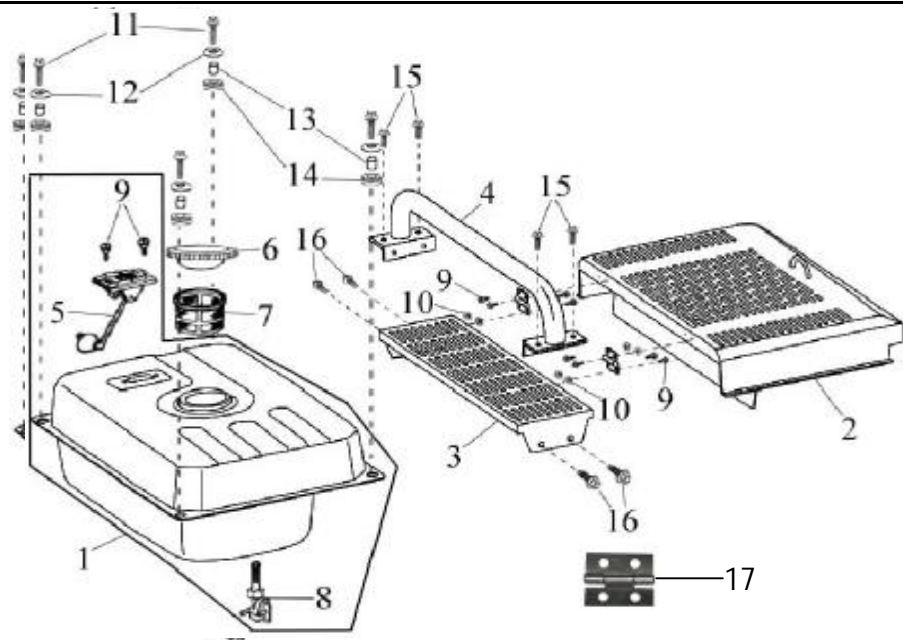
蓄电池 (Battery Assy)

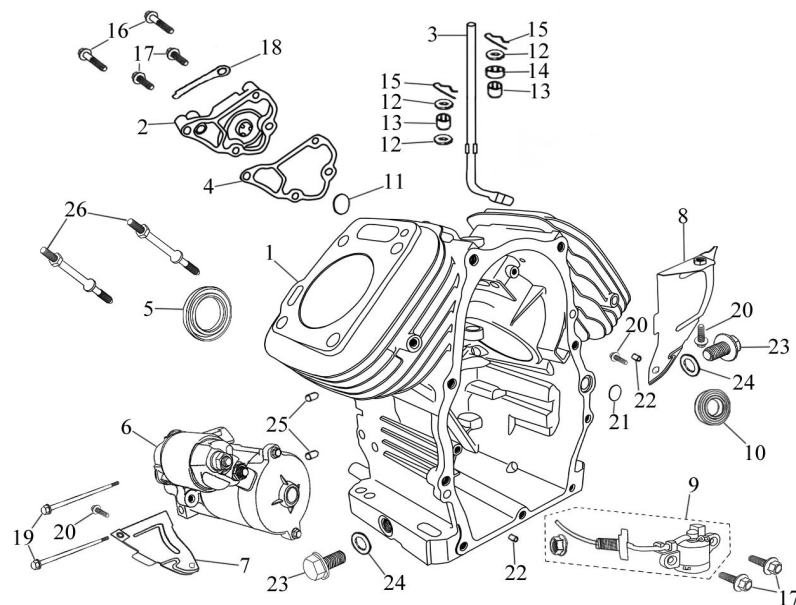


控制面板 (Control panel)



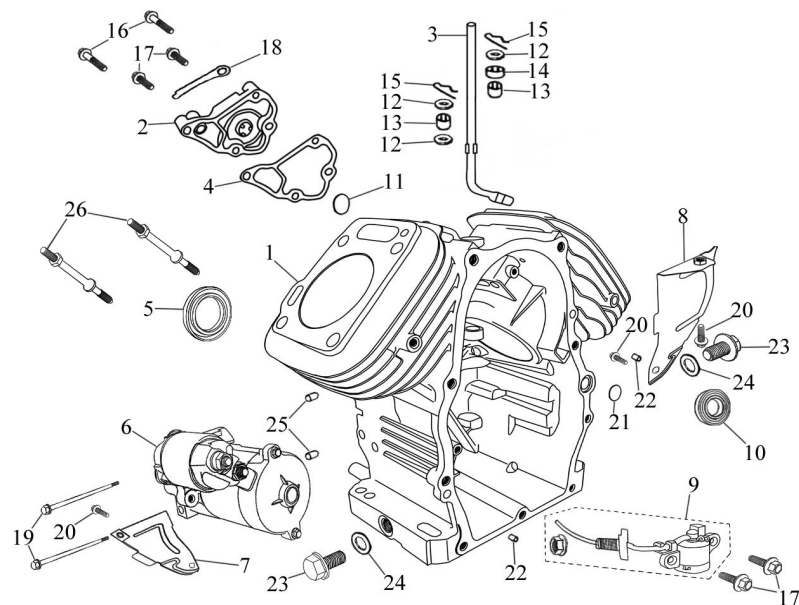
燃油箱 (Fuel tank)





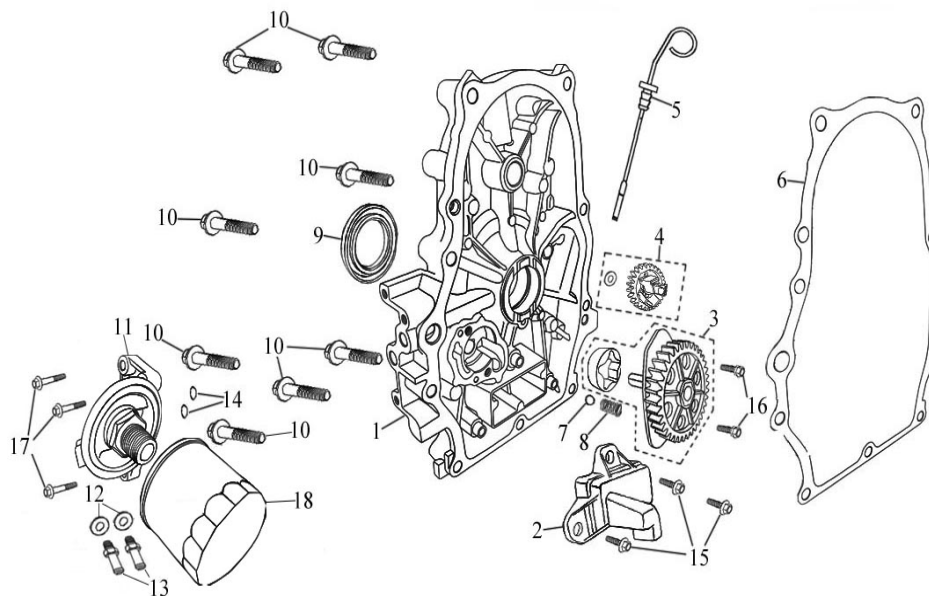
曲轴箱体 (Crankcase)

序号 Ser. No.	零部件编号 Part No.	零部件名称	Description	数量 (Quantity)	
				LC12000	
1	110810049-0001	曲轴箱体	CRANKCASE	1	
2	110840009-0001	呼吸槽盖板	CAP, BREATHER CHAMBER	1	
3	171630012-0001	调速臂	SHAFT, GOVERNOR ARM	1	
4	110850009-0001	呼吸槽密封垫	GASKET, BREATHER CHAMBER	1	
5	380650376-0001	油封	OIL SEAL	1	
6	270360048-0001	起电机部件	MOTOR, STARTING	1	
7	160200030-0001	发动机导流罩	LEAD WIND COVER	1	
8	160200029-0001	发动机导流罩	LEAD WIND COVER	1	
9	270790006-0001	发动机传感器	SWITCH ASSY, OIL LEVEL	1	
10	380630255-0001	轴承	BEARING, RADIAL BALL	1	
11	110860003-0001	呼吸片	VALVE PIECE	1	
12	380450592-0001	平垫圈	WASHER, PLAIN	3	
13	380630254-0001	轴承	BEARING, RADIAL BALL	2	
14	380650377-0001	油封	OIL SEAL	1	
15	381350004-0001	销夹	SPLIT PIN	2	



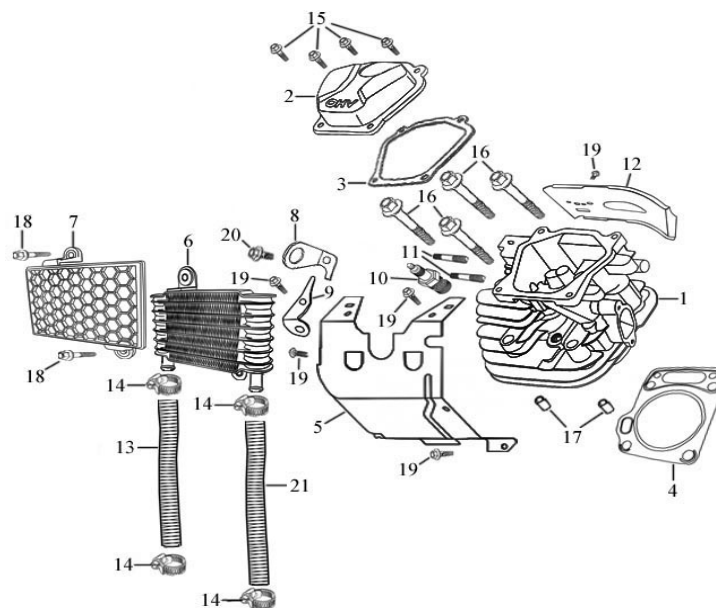
曲轴箱体 (Crankcase)

序号 Ser. No.	零部件编号 Part No.	零部件名称	Description	数量 (Quantity)	
				LC12000	
16	380140054-0003	六角法兰面螺栓M6×30	BOLT, FLANGE, M6×30	2	
17	380140013-0005	六角法兰面螺栓M6×16	BOLT, FLANGE, M6×16	4	
18	110480001-0001	压线板	PRESSING LINE PLATE	1	
19	380140382-0001	六角法兰面螺栓M8×110	BOLT, FLANGE, M8×110	2	
20	380140067-0003	六角法兰面螺栓M6×12	BOLT, FLANGE, M6×12	3	
21	380840542-0001	密封圈	SEAL	1	
22	380600120-0001	定位销	SET PIN	2	
23	110260001-0001	密封螺塞	DRAIN PLUG	2	
24	380450591-0001	平垫圈	WASHER, PLAIN	2	
25	380600123-0001	定位销	SET PIN	2	
26	380850013-0001	双头支撑螺栓	STUD	2	



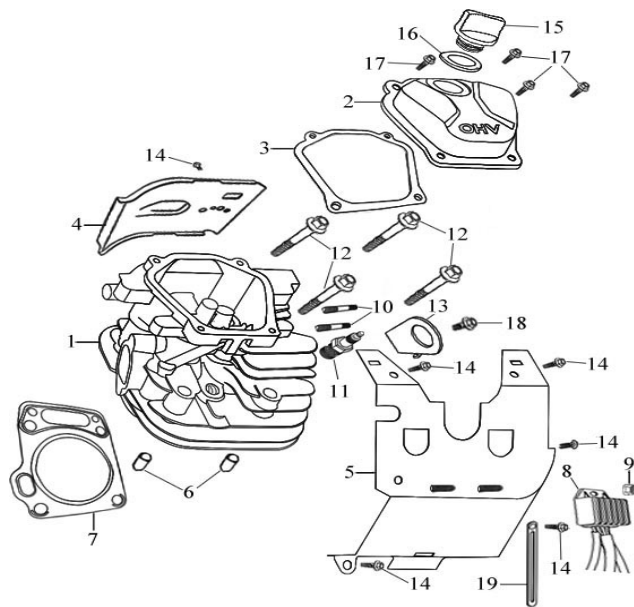
曲轴箱盖 (CRANKCASE COVER)

序号 Ser. No.	零部件编号 Part No.	零部件名称	Description	数量 (Quantity)	
				LC12000	
1	110820036-0001	曲轴箱盖	CRANKCASE COVER	1	
2	150280007-0001	机油粗滤器组合	GAUZE SET	1	
3	150010055-0001	机油泵部件	OIL PUMP ASSY	1	
4	171750016-0001	调速齿轮部件	DRIVEN GEAR, REGULATOR ASSY	1	
5	110690030-0001	机油尺组合	DIPSTICK WITH SEAL	1	
6	110830024-0001	曲轴箱盖密封垫	GASKET, CRANKCASE	1	
7	380640016-0001	钢球	BALL	1	
8	381150370-0001	压簧	SPRING	1	
9	380650376-0001	油封	OIL SEAL	1	
10	380140337-0001	六角头法兰面螺栓M10×80	BOLT, FLANGE, M10×80	8	
11	150490007-0001	机油滤清器座	OIL FILTERS SEAT	1	
12	380450514-0001	平垫圈	WASHER, PLAIN	2	
13	380780084-0001	管接头	JOINT	2	
14	380840668-0001	密封圈	SEAL	2	
15	380140013-0005	六角法兰面螺栓M6×16	BOLT, FLANGE, M6×16	3	



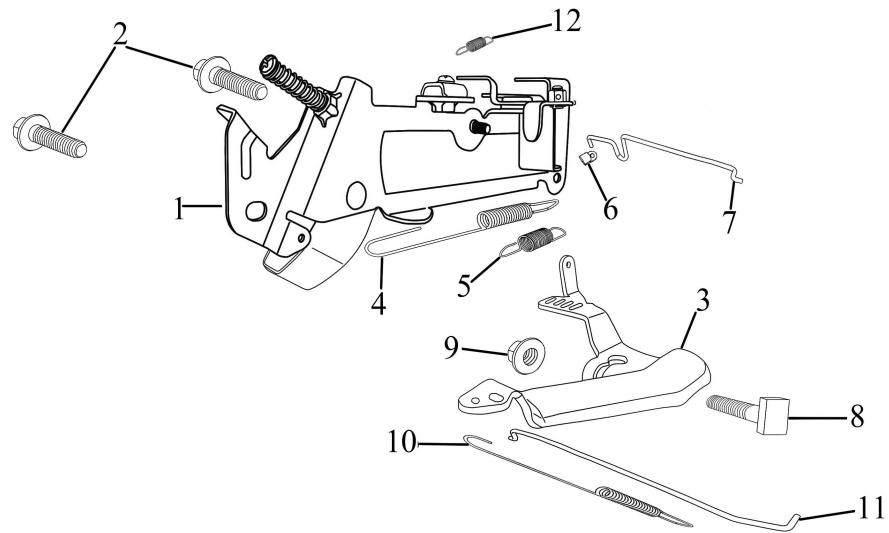
气缸头I总成 (CYLINDER HEAD ASSY)

序号 Ser. No.	零部件编号 Part No.	零部件名称	Description	数量 (Quantity)	
				LC12000	
1	120080340-0001	气缸头	CYLINDER HEAD ASSY	1	
2	120230050-0001	气缸头盖	CYLINDER HEAD COVER ASSY	1	
3	120250019-0001	气缸头盖密封垫	GASKET, CYLINDER HEAD COVER	1	
4	120150111-0001	气缸头密封垫	GASKET, CYLINDER HEAD	1	
5	160190023-0001	空气导流罩	LEAD WIND COVER	1	
6	160020003-0001	散热器本体	ENGINE OIL COOLER COMBINATION	1	
7	160830001-0001	散热器保护罩	OIL CONDENSER COVER	1	
8	120550001-0001	吊耳	SUSPEND EAR	1	
9	150730001-0001	机油冷凝器安装支架	BRACKET OIL CONDENSER	1	
10	270960025-0001	火花塞	SPARK PLUG	1	
11	380180109-0001	双头螺栓	STUD	2	
12	160190025-0001	空气导流罩	LEAD WIND COVER	1	
13	380750363-0001	油管	FUEL PIPE	1	
14	380960112-0001	卡箍组合	HOOP	4	
15	380140441-0001	六角法兰面螺栓M6×14	BOLT, FLANGE, M6×14	4	



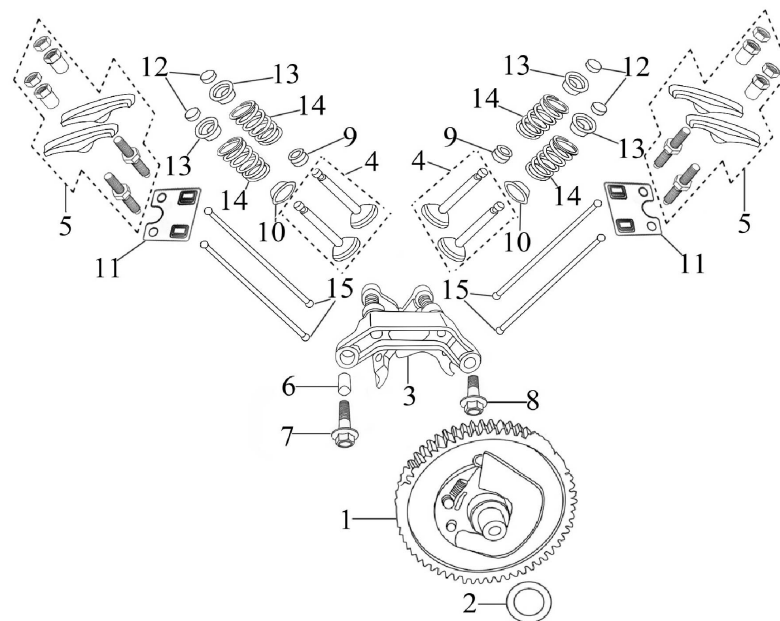
气缸头II总成 (CYLINDER HEAD ASSY)

序号 Ser. No.	零部件编号 Part No.	零部件名称	Description	数量 (Quantity)	
				LC12000	
1	120080341-0001	气缸头	CYLINDER HEAD ASSY	1	
2	120230051-0001	气缸头盖	CYLINDER HEAD COVER ASSY	1	
3	120250019-0001	气缸头盖密封垫	GASKET, CYLINDER HEAD COVER	1	
4	160190025-0001	空气导流罩	LEAD WIND COVER	1	
5	160190026-0001	空气导流罩	LEAD WIND COVER	1	
6	380600116-0001	定位销	SET PIN	2	
7	120150111-0001	气缸头密封垫	GASKET, CYLINDER HEAD	1	
8	273020001-0001	熄火单向器	RECTIFIER	1	
9	380370012-0005	六角法兰面螺母M5	NUT, FLANGE, M5	1	
10	380180109-0001	双头螺栓	STUD	2	
11	270960025-0001	火花塞	SPARK PLUG	1	
12	380140337-0001	六角法兰面螺栓M10×80	BOLT, FLANGE, M10×80	4	
13	120550001-0001	吊耳	SUSPEND EAR	1	
14	380140067-0003	六角法兰面螺栓M6×12	BOLT, FLANGE, M6×12	6	
15	110700001-0001	机油尺	OIL PLUG	1	



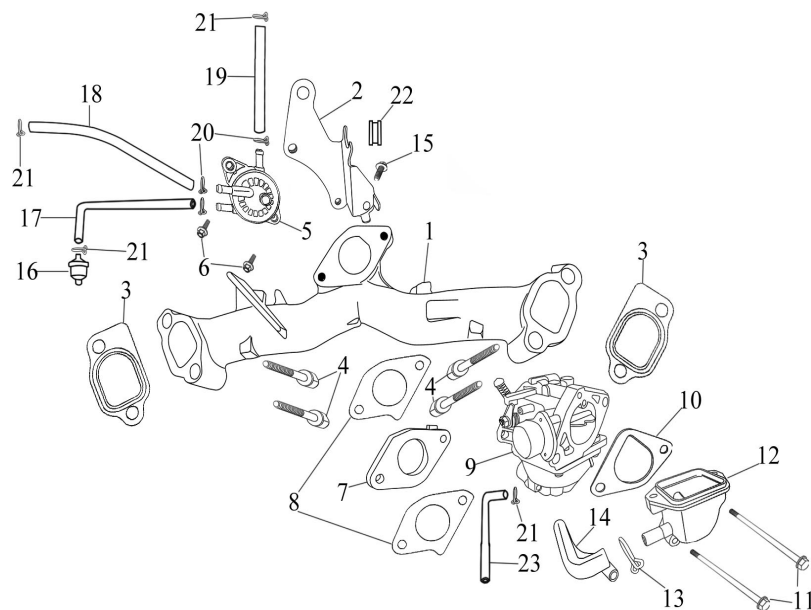
调速控制组件 (REGULATING BOARD)

序号 Ser. No.	零部件编号 Part No.	零部件名称	Description	数量 (Quantity)	
				LC12000	
1	171730007-0001	调速支撑总成	REGULATING BOARD	1	
2	380140013-0005	六角法兰面螺栓M6×16	BOLT, FLANGE, M6×16	2	
3	171620017-0001	调速支架	REGULATING ARM	1	
4	171600028-0001	调速弹簧	REGULATING SPRING	1	
5	171600029-0001	调速弹簧	REGULATING SPRING	1	
6	173090001-0001	阻风门拉杆锁夹	CLAMP, CHOKE LINK	1	
7	171650006-0001	阻风门拉杆	CHOKE LINK	1	
8	171670001-0001	调速支架固定螺栓	LOCK BOLT	1	
9	380370048-0001	六角法兰面螺母M6	NUT, FLANGE, M6	1	
10	171610013-0001	节气门复位弹簧	BACK SPRING	1	
11	171590017-0001	油门拉杆	PULLING ROD	1	
12	381140396-0001	拉簧	SPRING	1	



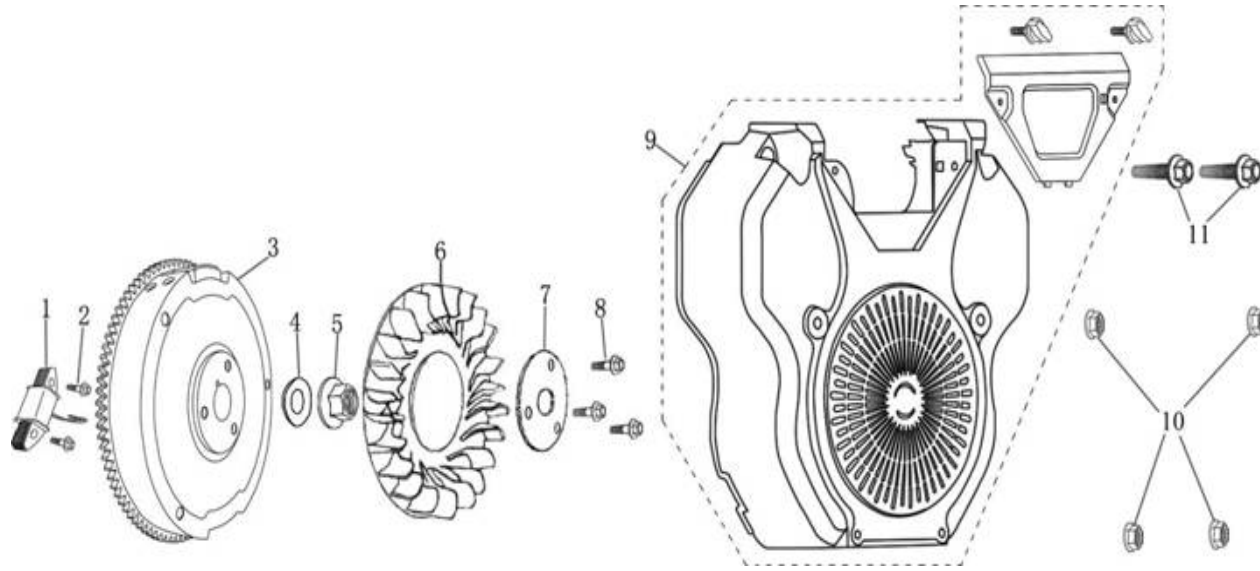
凸轮轴、气门摇臂组合 (CAMSHAFT ASSY)

序号 Ser. No.	零部件编号 Part No.	零部件名称	Description	数量 (Quantity)	
				LC12000	
1	140020067-0001	凸轮轴组合	CAMSHAFT ASSY	1	
2	380450590-0001	平垫圈	WASHER, PLAIN	1	
3	140540016-0001	下摇臂组合	ROCKER ARM ASSY, LOWER	1	
4	500550027-0001	气门套件	VALVE KIT	2	
5	140450023-0001	气门摇臂组合	ROCKER ARM ASSY	2	
6	380600119-0001	定位销	SET PIN	1	
7	380140077-0005	六角法兰面螺栓M6×20	BOLT, FLANGE, M6×20	1	
8	380140108-0004	六角法兰面螺栓M6×16	BOLT, FLANGE, M6×16	1	
9	140400017-0001	挡油罩	STEM SEAL VALVE	2	
10	140380018-0001	气门弹簧座	OIL SHIELD	2	
11	140710002-0001	推杆限位板组合	PUSHER GUIDE	2	
12	140320002-0001	气门调整帽	TAPPET ADJUST CAP	4	
13	140360010-0001	气门内弹簧座圈	VALVE SPRING RETAINER	4	
14	140340023-0001	气门内弹簧	VALVE INNER SPRING	4	
15	140670017-0001	挺杆组合	PUSHER	4	



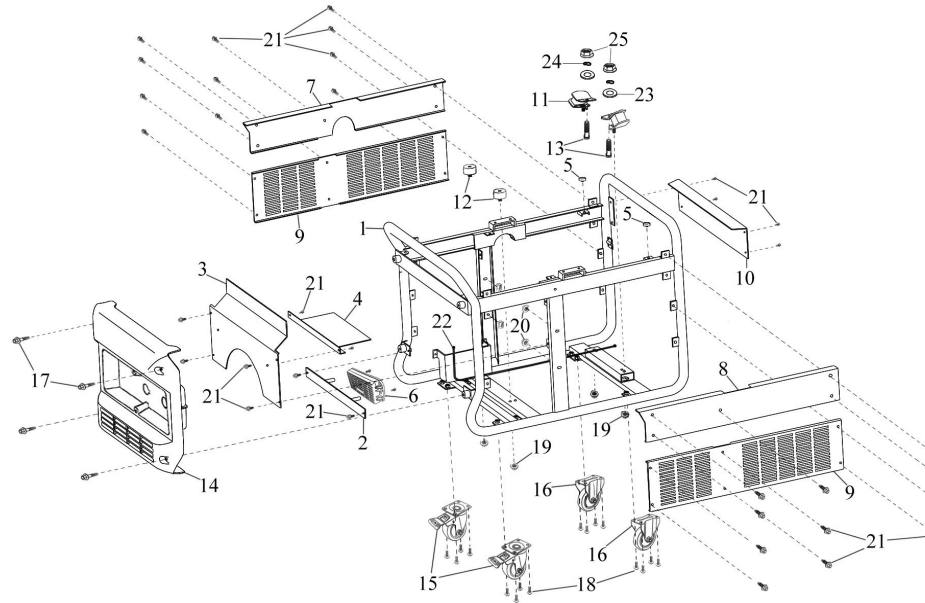
化油器总成 (CARBURETOR ASSY)

序号 Ser. No.	零部件编号 Part No.	零部件名称	Description	数量 (Quantity)	
				LC12000	
1	180420370-0001	进气管	INLET PIPE	1	
2	170470002-0001	汽油泵支架	BRACKET, FUEL PUMP	1	
3	170430086-0001	化油器密封垫	CARBURETOR GASKET	2	
4	380190053-0002	内六角螺钉	SOCKET HEAD CAP SCREW	4	
5	170460006-0001	汽油泵	FUEL PUMP ASSY	1	
6	380140067-0003	六角头法兰面螺栓M6×12	BOLT, FLANGE, M6×12	2	
7	170440064-0001	化油器隔热垫	CONNECTING BLOCK	1	
8	170430085-0001	化油器密封垫	CARBURETOR GASKET	2	
9	170020519-0001	化油器	CARBURETOR ASSY	1	
10	380840540-0001	密封圈	SEAL	1	
11	380140383-0001	六角头法兰面螺栓M6×120	BOLT, FLANGE, M6×120	2	
12	180180002-0001	空滤器连接管	ELBOW, AIR CLEANER	1	
13	380950212-0001	管夹	CLAMP, PIPE	2	
14	380740511-0001	通气管	TUBE BREATHER	1	
15	380140013-0005	六角法兰面螺栓M6×16	BOLT, FLANGE, M6×16	1	



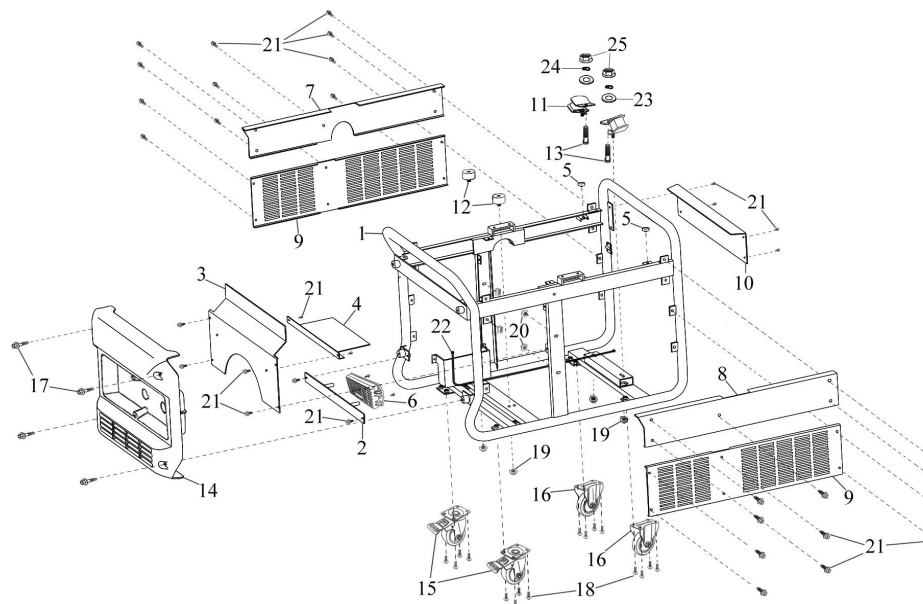
磁电机转子、风扇罩 (FLYWHEEL)

序号 Ser. No.	零部件编号 Part No.	零部件名称	Description	数量 (Quantity)	
				LC12000	
1	270190009-0001	充电线圈部件	COIL SOLENOID	1	
2	380140054-0003	六角法兰面螺栓M6×30	BOLT, FLANGE, M6×30	2	
3	270020119-0001	磁电机转子部分	FLYWHEEL COMP	1	
4	380450596-0001	平垫圈	WASHER, PLAIN	1	
5	380370064-0001	六角法兰面螺母M20×1.5	NUT, FLANGE, M20×1.5	1	
6	160180017-0001	叶轮	FLYWHEEL FAN	1	
7	660880001-0001	叶轮压板	FLYWHEEL FAN PLATE	1	
8	380140108-0004	六角法兰面螺栓M8×16	BOLT, FLANGE, M8×16	3	
9	160210052-0001	风扇罩部件	FAN HOOD ASSY	1	
10	380370048-0001	六角法兰面螺母M6	NUT, FLANGE, M6	4	
11	380140103-0004	六角法兰面螺栓M6×25	BOLT, FLANGE, M6×25	2	



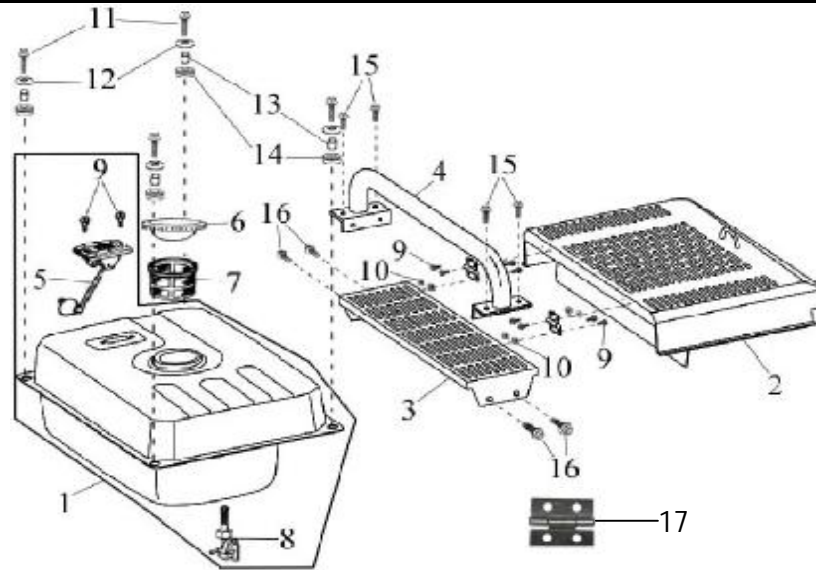
机架 (Frame Comp)

序号 Ser. No.	零部件编号 Part No.	零部件名称	Description	数量 (Quantity)	
				LC12000	
1	300720149-0001	机架部件	FRAME COMP.	1	
2	303080001-0001	机架连接板	FRAME PLATE	1	
3	182090001-0001	消声器隔热板	MUFFLER HEAT SHIELD	1	
4	182090002-0001	消声器隔热板	MUFFLER HEAT SHIELD	1	
5	170700095-0001	油箱减震胶垫	DAMPING RUBBER	2	
6	660150080-0001	调压器	VOLTAGE REGULATOR	1	
7	303070002-0001	机架护板	FRAME COVER	1	
8	303070001-0001	机架护板	FRAME COVER	1	
9	303060001-0001	机架护罩	FRAME SHIELD	1	
10	303070005-0001	机架护板	FRAME COVER	1	
11	300780012-0001	机架减震块	FRAME MOUNTS	2	
12	300780011-0001	主机缓冲座	FRAME MOUNTS	2	
13	380070274-0001	六角头螺栓	BOLT, M10×1.5×50	2	
14	271970004-0001	面板座	CONTROL PANEL BASE	1	
15	660690008-0001	支撑轮部件	WHEEL COMP	2	



机架 (Frame Comp)

序号 Ser. No.	零部件编号 Part No.	零部件名称	Description	数量 (Quantity)	
				LC12000	
16	660690007-0001	支撑轮部件	WHEEL COMP	2	
17	380140070-0004	六角头法兰面螺栓	BOLT, FLANGE, M8×20	4	
18	380140040-0005	六角头法兰面螺栓	BOLT, FLANGE, M8×16	16	
19	380370007-0001	六角头法兰面螺母	NUT, FLANGE, M8	4	
20	380370048-0001	六角头法兰面螺母	NUT, FLANGE, M6	4	
21	380140001-0005	六角头法兰面螺栓	BOLT, FLANGE, M6×12	36	
22	271270019-0001	正极导线	POSITIVE WIRE	1	
23	380450006-0005	平垫圈	WASHER, PLAIN	2	
24	380460002-0006	弹性垫圈	WASHER, ELASTICITY	2	
25	380370026-0001	六角头法兰面螺母	NUT, FLANGE, M10×1.5	2	



燃油箱 (Fuel tank)

序号 Ser. No.	零部件编号 Part No.	零部件名称	Description	数量 (Quantity)	
				LC12000	
1	170490676-T590	油箱部件	FUEL TANK	1	
2	343210018-0001	油箱装饰罩	FUEL TANK COVER	1	
3	303060003-0001	机架护罩	FRAME SHIELD	1	
4	303080001-0001	机架吊杆	FRAME SHACKLE	1	
5	170740008-0001	油标部件	METER COMP., FUEL	1	
6	170870043-0001	油箱盖	CAP COMP., FUEL FILLER	1	
7	170720005-0001	注油口滤网组合	FILTER, FUEL TANK	1	
8	170980057-0001	油开关部件	SWITCH COME, , FUEL	1	
9	380040005-0002	十字槽凹穴六角头螺栓	SCREW, FLAT, M5×12	6	
10	380370012-0005	六角头法兰面螺母	NUT, FLANGE, M5	4	
11	380140102-0004	六角头法兰面螺栓	BOLT, FLANGE, M6×25	4	
12	380450444-0002	平垫圈	WASHER, PLAIN	4	
13	170710014-0001	油箱减震垫衬管	COLLAR, TANK CUSHION	4	
14	170700050-0001	油箱减震胶垫	RUBBER, FUEL CUSHION	4	
15	380140040-0005	六角头法兰面螺栓	BOLT, FLANGE, M8×16	4	



隆鑫通用动力股份有限公司

Loncin motor co., Ltd.

详细地址：重庆市九龙坡区九龙工业园区华龙大道99号

Add:No.99Hualong Road,Jiulongpo District,Chongqing,China

Tel:86 23 8980 5678/86 23 8980 8505

Fax:86 23 8906 7566

Email:service@loncinengine.com

Website:www.loncinengine.com

PRINTED IN CHINA